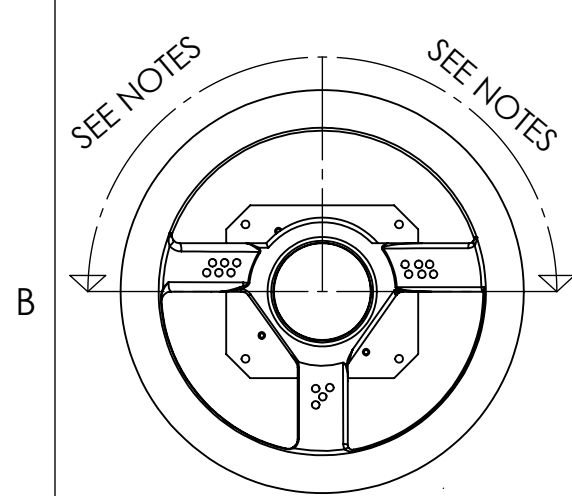


THIS DRAWING IS THE SOLE PROPERTY OF OEM CONTROLS INC., 10 CONTROLS DRIVE, SHELTON CT 06484, USA. THIS DOCUMENT CONTAINS OEM PROPRIETARY INFORMATION. WRITTEN PERMISSION TO USE OR DISCLOSE ANY INFORMATION HEREIN MUST BE OBTAINED FROM OEM.

REVISIONS				
ZONE	REV	DESCRIPTION	DATE	APPROVED
	A	ORIGINAL	3/31/2017*RO	MER 3/1/18

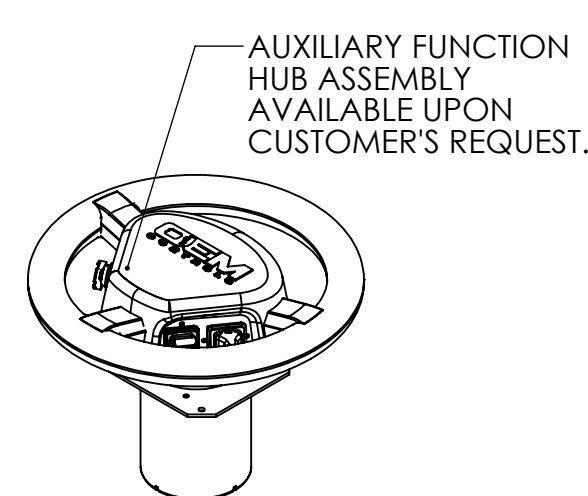
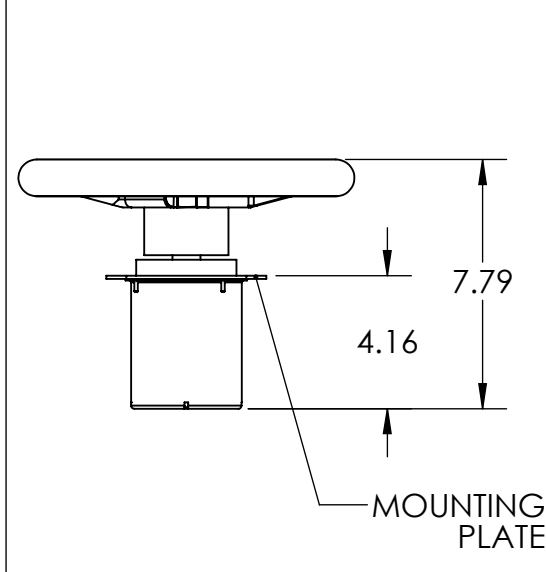


MECHANICAL OPTIONS:

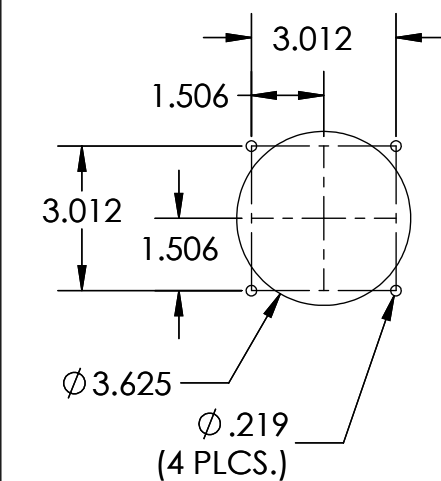
1. Spring Return: 90° each direction, 180° total.
2. Friction hold and Detent: 135° each direction, 270° total.

NOTES

1. Mechanical Life: > 1 million cycles
2. Operating Temperature: -40 to +70°C
3. Steering wheel Deflection: 180° (center to full: 90°) Hall Effect
4. Ip Rating: IP54 above panel.
5. Spring Return Mechanism Torque: 13.2 lbs/inch (with 10" Steering Wheel)
6. Shown with standard 10" wheel. Others available upon request.



MOUNTING DIMENSIONS



Analog Output PCBs

PCB TYPE	Power Supply Range	# Digital Inputs	# Digital Outputs	# Analogs Outputs	Analog Output range	Ratiometric output capable	Wiring	Analog Output Tolerance										Notes	
								0V	0V < OUT ≤ 4.5V	4.5V < OUT ≤ 6V	6V < OUT ≤ 8V	8V < OUT ≤ 10V	10V < OUT ≤ 12V	12V < OUT ≤ 14V	14V < OUT ≤ 16V	16V < OUT ≤ 18V	4mA ≤ OUT ≤ 12mA		12mA < OUT ≤ 20mA
Voltage Outcome	9V - 30V	1	2	1	0V to Vbat-1V*	Yes	Pendent	(+0.1V), -0V	±0.1V	±0.15V	±0.2V	±0.25V	±0.3V	±0.35V	±0.4V	±0.45V	n/a	n/a	*Actual output values and curve shape set by software. Analog Output tolerances per chart.
PLC Current Output	9V - 30V	0	2	1	4mA to 20mA*	No	Pendent	n/a	n/a	n/a	n/a	n/a	n/a	n/a	n/a	n/a	±0.25mA	±0.50mA	

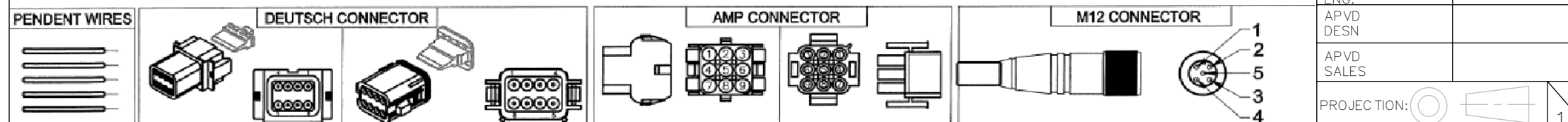
CAN PCBs

PCB type	Name	Power Supply range	Output type	# Digital Inputs	# Analog Inputs	# Sourcing Digital Outputs	# Sinking Digital Outputs (Thumper)	ID Resistor capable	Wiring	Notes
CAN	OCI-23	9V - 32V	CANopen, J1939	1	0	0	0	Yes*	Pendent	*ID resistor is PCB mount only, not external.

DRAWN BY	RO	DATE	3/31/2017
CHECKED	MER		3/1/18

OEM CONTROLS
 10 Controls Drive - Shelton, CT 06484
 Phone: (203)929-8431 Fax: (203)929-7546

CONNECTOR OPTIONS



STEERING WHEEL ASSEMBLY

PART NO.	STW5	DWG NO.	B31419	REV	A
SCALE	NONE	SHEET	1 OF 1	SIZE	B