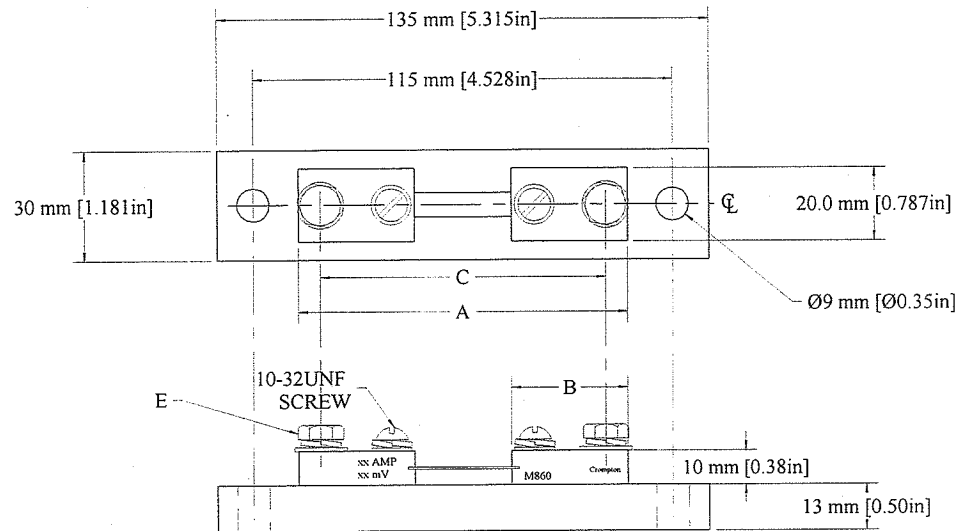


Rating		1 Amp to 39 Amps			40 Amps to 150 Amps		
Model No.		860	M860		860	M860	
50 mV	Dim.	MM	MM	Inch	MM	MM	Inch
	A	90	90	3.543	93	93	3.661
	B	28	31.7	1.250	33	38.1	1.500
C	78	78	3.071	73	73	2.874	
Bolt size E		M5x1.2	1/4-20 UNC		M8x1.6	3/8-16 UNC	

Rating		1 Amp to 39 Amps			40 Amps to 150 Amps		
Model No.		860	M860		860	M860	
60 mV	Dim.	MM	MM	Inch	MM	MM	Inch
	A	90	90	3.543	100	100	3.937
	B	28	31.7	1.250	33	38.1	1.500
C	78	78	3.071	80	80	3.150	
Bolt size E		M5x1.2	1/4-20 UNC		M8x1.6	3/8-16 UNC	

Rating		1 Amp to 39 Amps		
Model No.		860	M860	
75, 100 and 150mV	Dim.	MM	MM	Inch
	A	90	90	3.543
	B	28	31.7	1.250
C	78	78	3.071	
Bolt size E		M5x1.2	1/4-20 UNC	



MATERIAL: BRASS/MANGANIN		TOLERANCES DIMENSIONS IN INCHES UNLESS NOTED		LINEAR ± 0.030 UNLESS NOTED	HOLE DIA. ± 0.015 UNLESS NOTED	SCALE 1:2	THIRD ANGLE PROJECTION
FINISH: ENTEK CU 56		APPROVED BY		CUSTOMER		CUSTOMER APPROVAL	
DATE		DATE		DESCRIPTION		RATING	
DRAWN BY MWM		06-JUN-12		Shunt		Various	
DESIGNED BY		DATE				ACCURACY ±0.25%	

REVISION	DATE	CHANGE
B		
A		