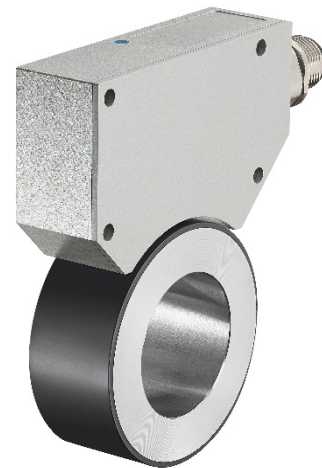


Manual

Bearingless encoder RLA50



Publisher	Kübler Group, Fritz Kübler GmbH Schubertstr. 47 78054 Villingen-Schwenningen Germany www.kuebler.com
Application support	Phone +49 7720 3903-952 Fax +49 7720 21564 support@kuebler.com
Document no.	R67041.0002
Document title	Manual, bearingless encoder RLA50
Language version	English (EN) - German is the original version
Document version	16.01.2018, R67041.0002 – Index 2
Copyright	© 2018, Kübler Group, Fritz Kübler GmbH
Legal information	All of the contents of this device description are subject to the rights of use and copyrights of Fritz Kübler GmbH. Any duplication, modification, further use or publication in other electronic or printed media, as well as their publication in the Internet, is subject to the previous written authorization of Fritz Kübler GmbH.

Table of Contents

Table of Contents

1	Symbol explanation	4
2	Technical details and product characteristics	5
2.1	The operating principle	6
2.2	Identification	6
2.3	Dimensions Sensor	7
2.4	Dimensions Magnetic ring	8
2.4.1	Dimensions Magnetic ring without protective aluminum ring.....	8
2.4.2	Dimensions Magnetic ring with protective aluminum ring.....	8
2.5	Technical data Sensor	9
2.6	Technical data Magnetic ring.....	10
3	Connections and interfaces	11
3.1	Terminal assignment	11
3.2	Interfaces	13
3.2.1	SSI interface (8.RLA50.13112)	13
3.2.2	CANopen interface (8.RLA50.13132)	14
3.2.3	Incremental signals TTL / HTL.....	14
3.2.4	Sine-Cosine incremental signals.....	15
4	Quick Start Guide	16
5	CANopen objects	17

1 Symbol explanation

Special information is marked by symbols in these operating instructions.

This information is introduced by signal words describing the severity of the danger.

Imperatively comply with these instructions and act cautiously in order to avoid accidents, personal injuries and damage to property.

Warnings:






	<p>This symbol, in combination with the signal word „Danger“ represents a direct imminent threat to life and health.</p> <p>Ignoring these instructions will result in serious injury to health, including life-threatening injuries.</p>
	<p>This symbol in connection with the signal word "warning" means a potentially imminent danger to the life and health of persons.</p> <p>Ignoring these instructions can result in serious injury to health, including life-threatening injuries.</p>
	<p>This symbol in connection with the signal word "Caution" means a potentially dangerous situation.</p> <p>Ignoring these instructions can result in minor injuries or damage to property.</p>
	<p>Tips and recommendations as well as information for an efficient and trouble-free operation.</p>
	<p>A safety note indicates any specific or potential hazards. This serves to prevent accidents. Read and follow safety instructions carefully.</p>

Table 1

2 Technical details and product characteristics

The angle measuring system RLA50 is a combination of a sensor and a magnetic ring. The magnetic ring is mounted directly on the motor shaft (see mounting suggestions **Fehler! Verweisquelle konnte nicht gefunden werden.**), allowing for simple and fast installation (the RLA50 suits particularly for rotary angle measurement).

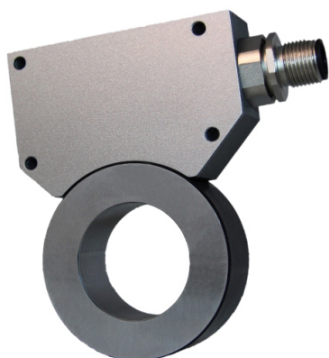


Figure 1

Thanks to its high protection level, the sensor head withstands any kind of dust and dirt and is absolutely wear-free. The RLA50 rotary measuring system moreover offers the advantage of absolute value measurement and therefore belongs to the category of the singleturn encoders.

Important features:

- Rotary angle measuring system
- Resolution 16.000 measuring steps over 360° (other resolutions on request)
- Absolute value measurement
- Various interfaces available

Absolute:

- Standard: SSI or CANopen (DS406)
- On request: RS422, addressable RS422, RS232, in preparation BISS-C

Incremental:

- 90° phase-shifted rectangular signals TTL or HTL
- Sine/Cosine signal 1V_{ss}
- Direct measurement on the motor shaft or axis possible

2.1 The operating principle

A Hall sensors line and a magnetoresistive resistance measuring bridge element are running above a magnetic ring bearing two tracks, a fine interpolation track and an absolute track. The absolute track provides, with the sensors line, an absolute value, and the fine interpolation track ensures, with the interpolation electronics, the high resolution of the measuring system. The illustration shows the two magnetic tracks of the magnetic ring, with north and south pole magnetization. The fine interpolation track has north and south poles alternating at a distance of 5 mm, which are scanned by means of resistance measuring bridges and provide a resolution reaching 16,000 measuring steps per revolution. The absolute value is provided by the sensors line with 16 individual Hall sensors, which scan the code sequence of the north and south poles. The absolute value on the magnetic ring repeats itself once per revolution.

To simplify the representation, the tracks of the magnetic ring are represented as a tape

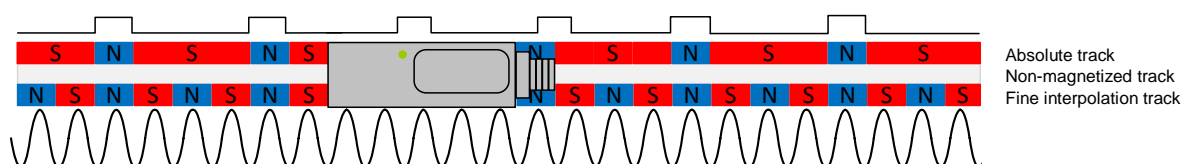


Figure 2

2.2 Identification

The name plate allows the exact identification of the unit. It is located on the sensor housing and indicates the exact type designation (= order designation, see type reference).

The name plate also includes a unique traceable device number.

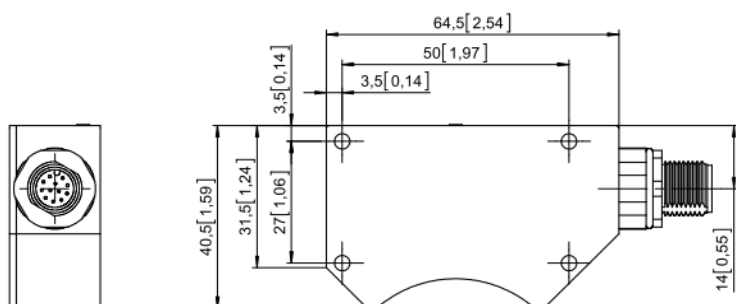
In case of contacts with Kübler, always use and indicate this information.

2.3 Dimensions Sensor

Dimensions

Dimensions in mm [inch]

Sensor head



Magnetic ring

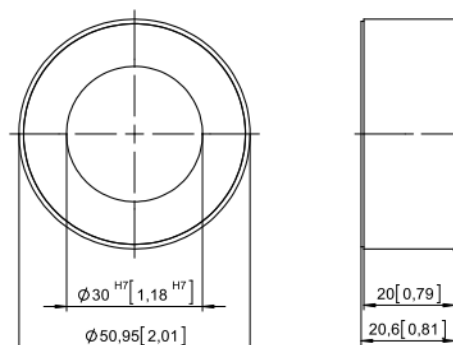
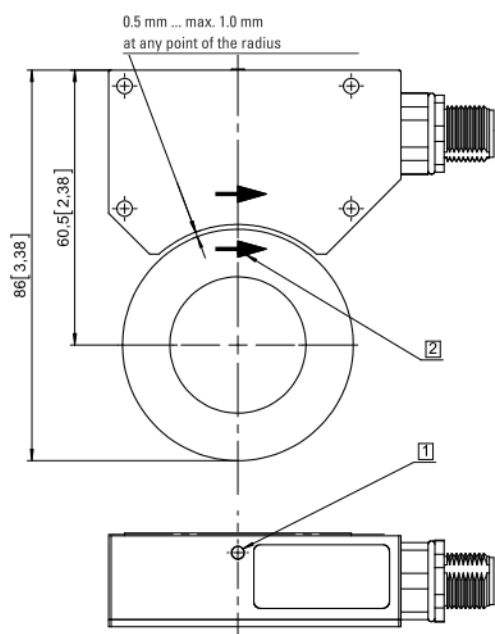


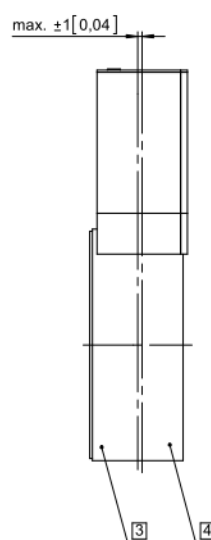
Figure 3

Mounting position and permissible mounting tolerances

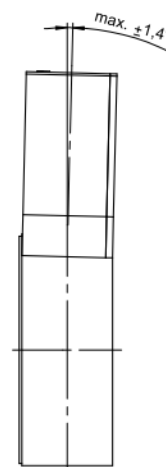
Sensor distance



Offset



Tilting



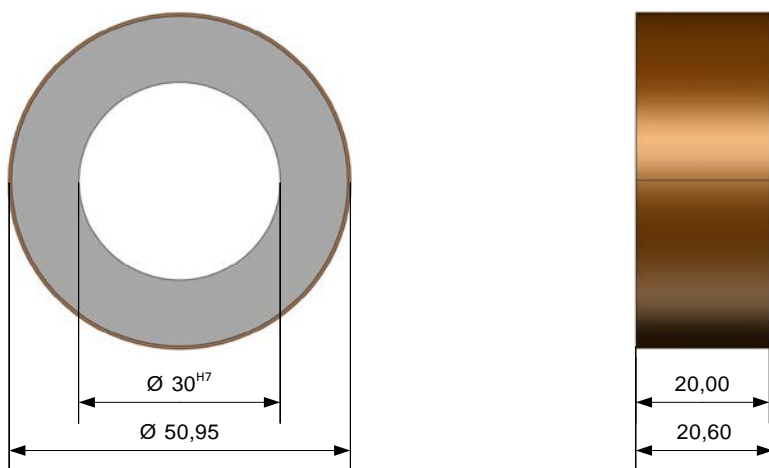
- [1] LED for distance monitoring
- [2] Direction arrows for the assembly
- [3] Fine interpolation track
- [4] Absolute track

Caution: imperatively comply with the mounting position of the sensor head with respect to the magnetic ring!

Figure 4

2.4 Dimensions Magnetic ring

2.4.1 Dimensions Magnetic ring without protective aluminum ring

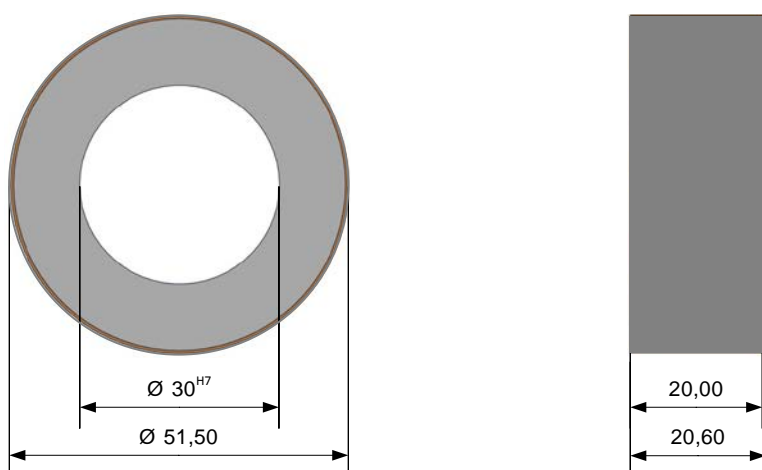


Required shaft / Tolerance $\varnothing 30_{h6}$

Figure 5

Use up to max. 1,000 RPM

2.4.2 Dimensions Magnetic ring with protective aluminum ring



Required shaft / Tolerance $\varnothing 30_{h6}$

Figure 6

Use up to max. 20,000 RPM

2.5 Technical data Sensor

RLA50 (Standard version)	
Mechanical data	
Measuring principle	absolute
Repeatability	+/- 1 increment
System accuracy in μm / °at 20°C	+/- (150 + 20 x L) / +/- 0,35° (type reference 010) +/- (50 + 20 x L) / +/- 0,16° (type reference F10) L = Length in meters
Sensor distance to the magnetic ring	max.1.0 mm without protective ring, max. 0.45 with protective ring
Basic pole pitch	5 mm
Sensor housing material	Aluminum
Sensor housing dimensions	L x W x H = 64.50 x 40.50 x 20 mm
Required magnetic ring	MR 00 051 030 206 0032 050 2 14021 (without protective aluminum ring) MR 00 052 030 206 0032 050 2 14021 (with protective aluminum ring)
Max. measuring range:	360°
Type of connection	12-pin round connector, M12 male
Weight	approx. 90 g Cable approx. 60 g per meter (accessory)
Sensor cable:	standard length 5 m, as an accessory (other lengths on request)
Electrical data	
Supply voltage	10.. 30 VDC
Residual ripple	<5 %
Current consumption	max. 150 mA
Interfaces	standard: SSI or CANopen (DS406) / on request RS422, addressable RS422, RS232 / in preparation BISS-C
Resolution	16,000 measuring steps / revolution
Max. rotary speed	20,000 RPM (depending on the interface) <ul style="list-style-type: none"> ▪ 0 to 1,000 RPM without protective aluminum ring ▪ 1,000 to 20,000 RPM with protective aluminum ring
Cable length	max. 30 m (depending on the interface)

Environmental conditions	
Storage temperature	-25.. +85 °C
Operating temperature	-10.. +70 °C (-25.. +85 °C) on request
Air humidity	max. 95 %, non-condensing
Protection level	IP50 (standard), IP65 (option V); higher protection level on request

Table 2

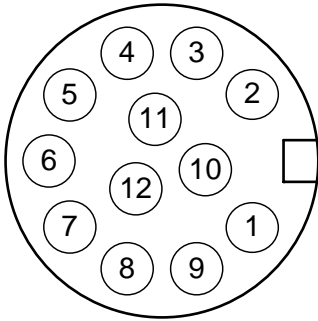
2.6 Technical data Magnetic ring

Mechanical data	
External Ø	50.95 mm without protective aluminum ring 51.50 mm with protective aluminum ring
Internal Ø	30 ^{H7} (required shaft: 30 _{h6})
Width	20.6 mm
Number of poles / P	32
Basic pole length	5 mm
Ring material	Martensitic stainless steel, (magnetic, hardenable), material 1.4021(X20Cr13)
Weight	approx. 190 g

Table 3

3 Connections and interfaces

3.1 Terminal assignment



Terminal assignment sensor head

Interface	Type of connection	M12 connector, 12-pin												
1	2	Signal:	0 V	+V	C+	C-	D+	D-	-	-	-	-	-	-
		Pin:	1	2	3	4	5	6	7	8	9	10	11	12

Interface	Type of connection	M12 connector, 12-pin												
3	2	Signal:	0 V	+V	CAN_L	CAN_H	-	-	-	-	-	-	-	-
		Pin:	1	2	3	4	5	6	7	8	9	10	11	12

+V: Encoder power supply +V DC
 0 V: Encoder power supply ground GND (0 V)
 C+, C-: Clock signal
 D+, D-: Data signal

Terminal assignment connection cable (accessory)

Connection cable color assignment with M12 female connector	Connection cable with M12 connector, 12 pin (accessory) – 05.00.60B1.B211.005M												
	Core color:	WH	BN	GN	YE	GY	PK	BU	RD	BK	VT	GY/PK	RD/BU
	Pin:	1	2	3	4	5	6	7	8	9	10	11	12

Figure 7

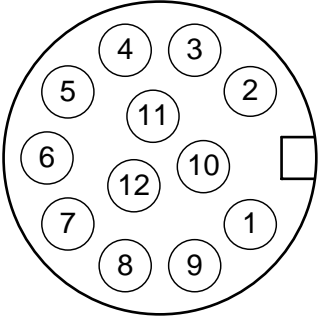
12-pin cable connector M12x1	PIN no.	Function
	1 (white)	0 V/GND
	2 (brown)	10 ... 30 VDC
	3 (green)	CLK+
	4 (yellow)	CLK-
	5 (gray)	DATA+
	6 (pink)	DATA-
	7 (blue)	COS+ or B+
	8 (red)	COS- or B-
	9 (black)	SIN+ or A+
	10 (violet)	SIN- or A-
	11 NC	NC
	12 NC	NC

Table 4

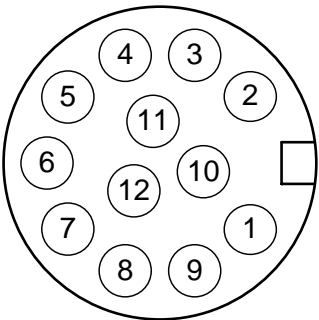
12-pin cable connector M12x1	PIN no.	Function
	1 (white)	0 V/GND
	2 (brown)	10 ... 30 VDC
	3 (green)	CAN-LOW
	4 (yellow)	CAN-HIGH
	5 (gray)	NC
	6 (pink)	NC
	7 (blue)	COS+ or B+
	8 (red)	COS- or B-
	9 (black)	SIN+ or A+
	10 (violet)	SIN- or A-
	11 NC	NC
	12 NC	NC

Table 5

3.2.2 CANopen interface (8.RLA50.13132)

When ordering the option CA0, the RLA50 measuring system is equipped with a CAN interface according to CANopen standard DS406.

The following identifiers are prescribed:

CAN identifier

(6-byte telegram)

181 h (16) = Identifier for device address 1

First 4 bytes = Position

Baud rate = 250 KB/s

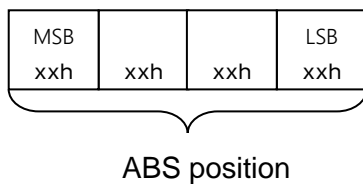


Figure 9

3.2.3 Incremental signals TTL / HTL

As an option, two 90° phase-shifted rectangular signals (rotary pulse encoder-compatible) with HTL or TTL output level (push/pull) are available.

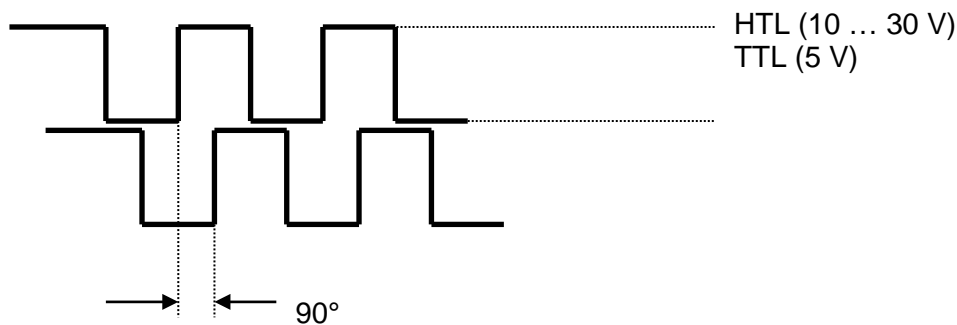


Figure 10

3.2.4 Sine-Cosine incremental signals

As an option, Sine-Cosine signals with 1 V_{SS} are available (push/pull final stage, short-circuit proof)

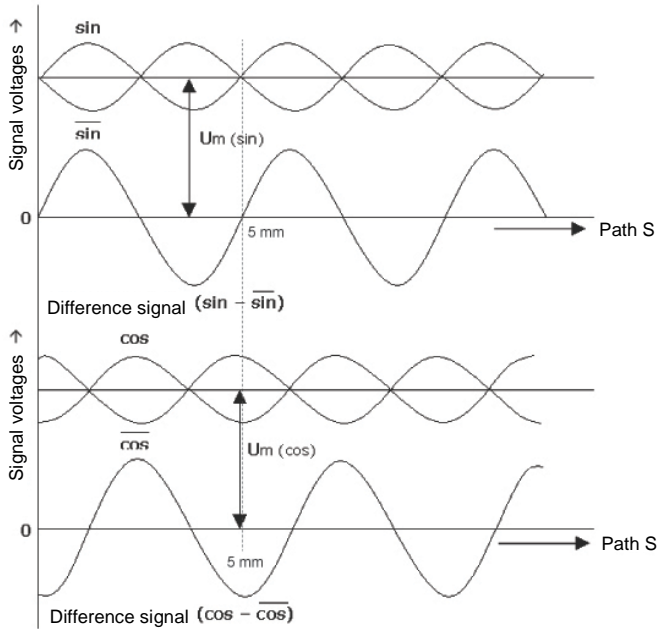





Figure 11

Parameter	Designation	min.	typ.	max.	Unit
Median voltage	$u_m(\sin)$, $u_m(\cos)$	2,4	2,5	2,6	V
Amplitude	$\sin - \overline{\sin}$ $\cos - \overline{\cos}$	400	500	600	mV
Ratio	$(\sin - \overline{\sin}) /$ $(\cos - \overline{\cos})$	0,9	1,0	1,1	-
Phase shift	φ	89	90	91	° degrees
Distortion factor	K	-	-	2	%

Table 6

4 Quick Start Guide

 WARNING	<p>Do not operate the device in explosive or corrosive atmospheres! The device shall not be installed close to interfering sources with high inductive or capacitive interferences or strong electrostatic fields!</p>
 WARNING	<p>Influence of external magnets</p> <p>External magnetic fields shall not exceed 64 mT (640 Oe; 52 kA/m) on the surface of the magnetic ring, as this might damage or destroy the encoding of the magnetic tape.</p>
 CAUTION	<p>Electrical connections must be carried out by suitably qualified personnel, in compliance with the local provisions.</p> <p>If necessary, the device is intended for mounting in a control panel. If there is a risk of touching live elements while working at the control panel, all components must be de-energized. (Protection against contact)</p> <p>Wiring work may only be carried out in de-energized condition!</p> <p>Thin-wire cable strands are to be equipped with ferrules!</p> <p>Check all connections and plugs before switching on! Mount the device so that it is protected against harmful environmental influences such as splash water, solvents; vibrations, shocks and heavy contamination, and so that the operating temperature is complied with.</p>
NOTICE	<p>Before commissioning the device please read thoroughly the operating instructions! The installation instructions are to be complied with imperatively! The guarantee voids in case of damages due to non-compliance with these operating instructions.</p> <p>Kübler shall not be liable for any consequential damage. We likewise accept no liability for personal injury, damage to property or financial damage!</p> <p>The operator is obliged to take and implement suitable safety-relevant measures. Commissioning shall only be carried out by qualified personal, authorized and trained by the operator.</p>

5 CANopen objects

Object	Sub Index	Access	Name	Default Value	Low Limit	High Limit
Communication profile						
0x1000		read	Device Type	0x00080196		
0x1001		read	Error Register	0	0	0
0x1003	1	read	Standard Error Field	0	0	0
0x1005		readWrite	COB-ID SYNC	0x80	80	800000 80
0x1010	1	readWrite	Save all Parameters	0		
0x1014		readWrite	COB-ID EMCY	\$NODEID+0x80	1	0xffffffff
0x1017		readWrite	Producer Heartbeat Time	0	0	0xffff
0x1018	1	read	Vendor Id	0x13		
0x1018	2	read	Product Code	0x0200		
0x1018	3	read	Revision number	0x0002		
0x1018	4	read	Serial number	0x0001		
0x1200	1	read	COB ID Client to Server	\$NODEID+0x600		
0x1200	2	read	COB ID Server to Client	\$NODEID+0x580		
0x1800	1	readWrite	COB-ID	\$NODEID+0x180		
0x1800	2	readWrite	Transmission Type	0xfe	0	0xff
0x1800	3	readWrite	Inhibit Time	0	0	0xffff
0x1800	4	read	Compatibility Entry	0	0	0xff
0x1800	5	readWrite	Event Timer	5	0	0xffff
0x1801	1	readWrite	COB-ID	\$NODEID+0x280		
0x1801	2	readWrite	Transmission Type	0xfe	0	0xff
0x1801	3	readWrite	Inhibit Time	0	0	0xffff
0x1801	4	readWrite	Compatibility Entry	0	0	0xff
0x1801	5	readWrite	Event Timer	0	0	0xffff
0x1a00	1	readWrite	PDO Mapping Entry	0x60040020	0	0xffffffff
0x1a01	1	readWrite	PDO Mapping Entry	0x60300110	0	0xffffffff
Manufacturing profile						
0x2000		write	Clear EEPROM	0	0	0
0x2001		readWrite	NMT bootup status	0	0	1
0x2002		write	Function call (internal testing purposes)			

Device profile						
0x6004		read	Position Value	0	0	0xffffffff
0x6005	1	readWrite	Position Measuring Step in 0.001 μ m	1000	0	0xffffffff
0x6005	2	readWrite	Speed Measuring Step in 0.01 mm/sec	100	0	0xffffffff
0x6030	1	read	Speed Value1	0	0x8000	0x7fff
0x6500		read	Operating Status	0	0	0

Table 7



Kübler Group
Fritz Kübler GmbH
Schubertstr. 47
78054 Villingen-Schwenningen
Germany
Phone: +49 7720 3903-0
Fax: +49 7720 21564
info@kuebler.com
www.kuebler.com