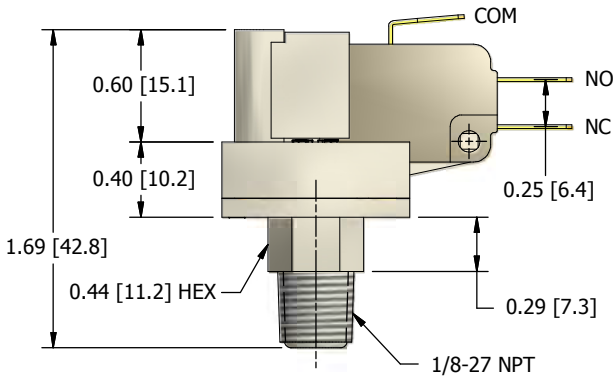
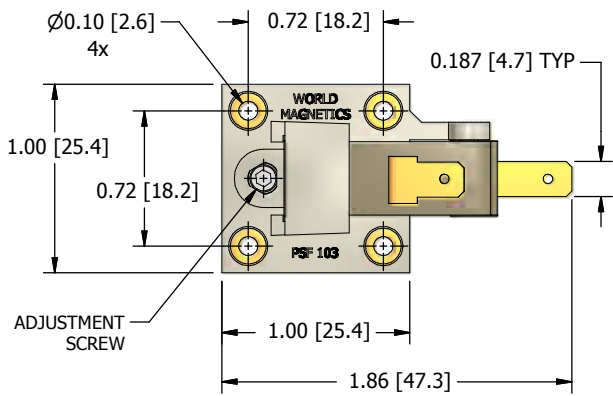




Made in USA

RoHS

MODEL 906X-XXX SHOWN



FEATURES / BENEFITS

- Field adjustable pressure set point, from 3" H₂O to 60 psi
- Snap action basic switch, up to 25A*, 125/250 VAC
*Not available on all ranges
- Many standard pressure ports and mounting options
- Custom design and engineering available
- Small size, lightweight, low cost
- Dependable long life (10+ million cycles)



SPECIFICATIONS

MECHANICAL

Standard Tolerance	±20% (Tighter tolerances available)
Switch Type	SPDT (single pole / double throw) normally open or normally closed
Switching Medium	Air; compatible fluids
Mechanical Life	More than 10 million cycles
Maximum Operating Pressure	Varies by option – see Adjustable Pressure Set Point Options overleaf
Operating Temp.	+40°F to +150°F (standard) -46°F to +205°F (contact us)

PHYSICAL

Case Material	Polycarbonate (optional: Lexan 141, Ryton®, Ultem®, Noryl®) 905 — 906 range use PPS wetted parts
Pressure Port Options	Many standard ports — see Pressure Port / Cover Options overleaf
Diaphragm Material	Polyurethane (Teflon® optional with limited pressure ranges) other options available
Contact Points	Silver (Gold available on special order)
Electrical Connections	Terminals – .187" x .020" tab-type for use with quick disconnects (ref. AMP #2-520182-2 or equivalent) .250" available — contact us
Mounting	#4 Screws through mounting lugs; #2 Screws through eyelets
Weight	Less than 20 grams

ELECTRICAL

Current Rating	Varies by option – see Adjustable Pressure Set Point Options overleaf
Operating Voltage	See Adjustable Pressure Set Point Options overleaf

DESIGNFLEX™ STANDARD OPTIONS — Choose from our standard PSF103 options as shown below or contact our vertically integrated in-house design and engineering team for special features and unique application needs. Sample switch available by request.

ADJUSTABLE PRESSURE SET POINT OPTIONS

	010*	020*	902	903	904	905	906
In H ₂ O	0.5 to 2.0	1.5 to 2.5	3 to 10	10 to 28	28 to 111	111 to 416	416 to 1664
mbar	1.2 to 5.0	5.0	7.5 to 25	25 to 69	69 to 276	276 to 1036	1036 to 4144
psi	0.018 to .072	0.072	0.11 to 0.4	0.4 to 1.0	1.0 to 4.0	4.0 to 15	15.0 to 60.0
Max. Operating Pressure (PUR)	30psi	30psi	30psi	30psi	30psi	70psi	70psi
Max. Operating Pressure (Teflon®)	15psi	15psi	15psi	30psi	30psi	30psi	30psi
Electrical 125/250 VAC Resistive Load	3A	3A	3A	10A	15A	15A	15A

*Non adjustable

PRESSURE PORT/COVER OPTIONS

00		01		02		03		04	
Smooth Port .156" diameter for 1/8" ID tubing w/mtg. lugs		Smooth Port .156" diameter for 1/8" ID tubing w/o mtg. lugs		Barbed Port for 3/16" ID tubing on terminals side w/mtg. lugs		Barbed Port for 3/16" ID tubing opposite terminals w/mtg. lugs		Barbed Port for 3/16" ID tubing on terminals side w/o mtg. lugs	
05		06		07		08		09	
Barbed Port for 3/16" ID tubing opposite terminals w/o mtg. lugs		1/8" NPT Port		Flo-Thru Barbed Port for 1/8" ID tubing w/o mtg. lugs		Smooth Port .250" diameter for 7/32" ID tubing w/o mtg. lugs		Smooth Port .250" diameter for 7/32" ID tubing w/mtg. lugs	
10		11		12		13		14	
Barbed Port for 1/8" ID tubing on terminals side w/mtg. lugs		Barbed Port for 1/8" ID tubing opposite terminals w/mtg. lugs		Barbed Port for 1/8" ID tubing on terminals side w/o mtg. lugs		Barbed Port for 1/8" ID tubing opposite terminals w/o mtg. lugs		1/4" Port for Quick Connect Fitting	
15						Diaphragm Options 1 Polyurethane (standard) 2 Teflon (optional)		OTHER / CUSTOM PORTING AND MOUNTING OPTIONS AVAILABLE	
M8 x 1.25 Port									

www.designflexswitches.com

PSF103 SERIES

Model Design Guide

For building standard model order number

PSF103 Series Number

Pressure Port/Cover Option Number

Diaphragm Option Number

Three Digit Pressure Set Point Option Number

9

—