

Wheel Drive

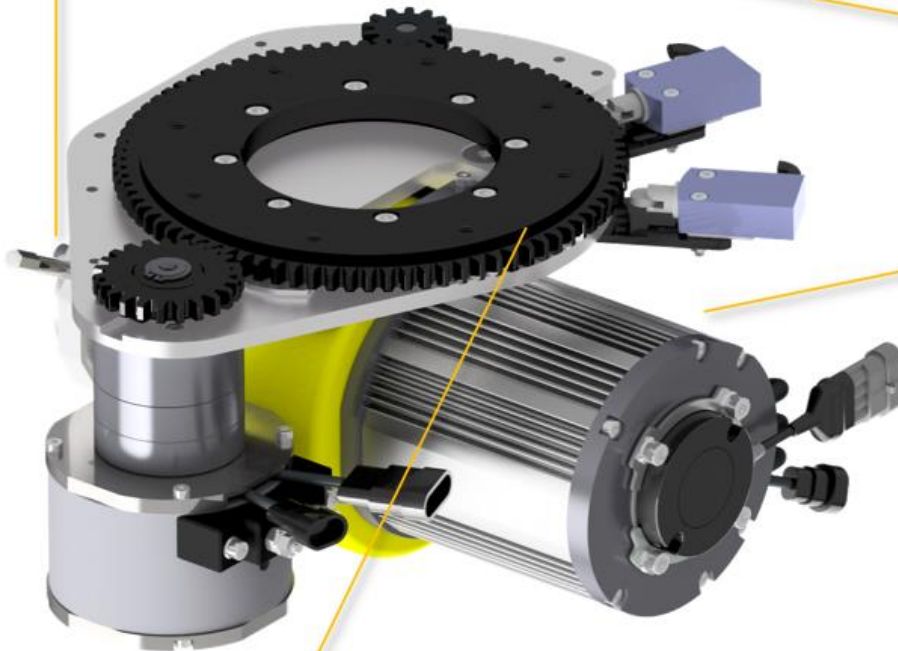
MRT03

Electromagnetic Brake

Parking / Emergency 5 Nm

Electric Motor

DC-AC-PMAC 200/400 W
Battery Voltage 12/144 Vdc
Protection Rating IP 20/66



Gearbox

| | |
|-------------------|--------------|
| MAX Wheel Torque | 80 Nm |
| MAX Vehicle Speed | 7.2 km/h |
| Gearbox Ratios | 13.8 |
| Max Wheel Load | 500 Kg |
| Height | 183 mm |
| Steering Radius | 182 mm |
| Wheel Diameter | 154 mm |
| Gear Quality | Ground Gears |
| Efficiency | 85% |