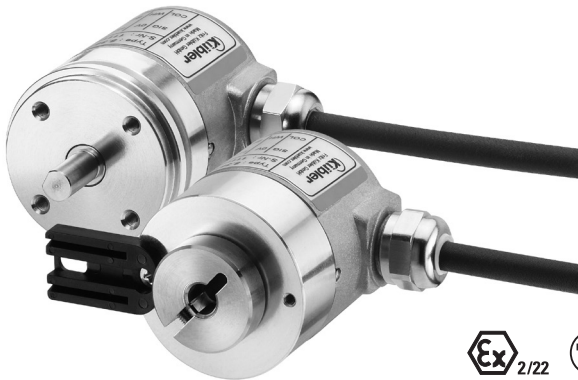


# Absolute encoders - singleturn

**Compact magnetic**

**Sendix M3658 / M3678 (shaft / hollow shaft)**

**CANopen**



The Sendix M3658 and Sendix M3678 absolute encoders - singleturn with CANopen interface and magnetic sensor technology boast a resolution of 14 bits.

With a protection rating of up to IP69k, these encoders are resistant to shock and to extreme fluctuations in temperature, making them ideal for use in the most demanding outdoor applications.



Safety-Lockplus™



High rotational speed



Temperature range  
-40°...+85°C



High protection level  
IP



High shaft load capacity



Shock / vibration resistant



Short-circuit proof



Reverse polarity protection



Magnetic sensor



Surface protection salt spray-tested optional

## Robust technology

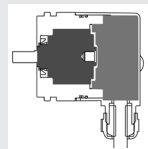
- Increased resistance against vibration and installation errors.
- Sturdy bearing construction in Safety-Lockplus™ design.
- Resistant die-cast-housing and protection up to IP69k.

## Versatile applications

- CANopen encoder profile DS406 V3.2.
- Fast determination of the operating status via two-color LED.
- With M12 connector or cable connection.

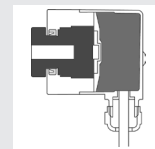
## Safety-Lockplus™

IP69k protection on the flange side, robust bearing assemblies with interlocking bearings, mechanically protected shaft seal.



## Sensor-Protect™

Fully encapsulated electronics, separate mechanical bearing assembly.



## Order code shaft version

**8.M3658** . **2XCX** . **21** **1X**  
Type                      a   b   c   d                      e                      f

**a** Flange  
2 = synchro flange,  $\varnothing$  36 mm [1.42"]

**b** Shaft ( $\varnothing \times L$ ), with flat  
3 =  $\varnothing$  6 x 12.5 mm [0.24 x 0.49"]  
6 =  $\varnothing$  8 x 12.5 mm [0.32 x 0.49"]  
5 =  $\varnothing$  1/4" x 12.5 mm [0.49"]

**c** Interface / power supply  
C = CANopen DS301 V4.02 / 8 ... 30 V DC

**d** Type of connection  
2 = radial cable, 1 m [3.28] PUR  
B = radial cable, special length PUR \*)  
4 = radial M12 connector, 5-pin  
\*) Available special lengths (connection types B):  
2, 3, 5, 8, 10, 15 m [6.56, 9.84, 16.40, 26.25, 32.80, 49.21']  
order code expansion .XXXX = length in dm  
ex.: 8.M3658.23CB.2111.0030 (for cable length 3 m)

**e** Fieldbus profile  
21 = CANopen

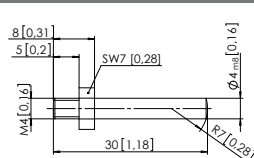
**f** Protection  
1 = IP67  
2 = IP69k

*Optional on request*  
- Ex 2/22 (only for type of connection 4)  
- surface protection salt spray tested

# Absolute encoders - singleturn

<b>Compact magnetic</b>	<b>Sendix M3658 / M3678 (shaft / hollow shaft)</b>	<b>CANopen</b>
-------------------------	--	----------------

<b>Order code hollow shaft</b>	<b>8.M3678</b> <small>Type</small>	<b>.XXCX.211X</b> <small>a b c d e f</small>
<b>a Flange</b> 2 = with spring element, long 5 = with stator coupling, ø 46 mm [1.81"]	<b>d Type of connection</b> 2 = radial cable, 1 m [3.28] PUR B = radial cable, special length PUR *) 4 = radial M12 connector, 5-pin	<b>e Fieldbus profile</b> 21 = CANopen
<b>b Blind hollow shaft</b> (insertion depth max. 18 mm [0.71"]) 2 = ø 6 mm [0.24"] 4 = ø 8 mm [0.32"] 6 = ø 10 mm [0.39"] 3 = ø 1/4"	*) Available special lengths (connection type B): 2, 3, 5, 8, 10, 15 m [6.56, 9.84, 16.40, 26.25, 32.80, 49.21"] order code expansion .XXXX = length in dm ex.: 8.M3678.52CB.2111.0030 (for cable length 3 m)	<b>f Protection</b> 1 = IP67 2 = IP69k
<b>c Interface / power supply</b> C = CANopen DS301 V4.02 / 8 ... 30 V DC		<i>Optional on request</i> - Ex 2/22 (only for type of connection 4) - surface protection salt spray tested

Mounting accessory for shaft encoders		Order no.
<b>Coupling</b>	bellows coupling ø 19 mm [0.75"] for shaft 6 mm [0.24"]	<b>8.0000.1102.0606</b>
Mounting accessory for hollow shaft encoders		Order no.
<b>Cylindrical pin, long</b> for flange with spring element (flange type 2)	with fixing thread 	<b>8.0010.4700.0000</b>
Connection technology		Order no.
<b>Cordset, pre-assembled</b>	M12 female connector with coupling nut, 5-pin 5 m [16.40'] PVC cable M12 female connector with coupling nut, 5-pin 1 m [3.28'] PVC cable Deutsch connector, 6-pin, DT04	<b>05.00.6091.A211.005M</b>  <b>05.00.6091.22C7.001M</b>
<b>Connector, self-assembly (straight)</b>	M12 female connector with coupling nut, 5-pin	<b>8.0000.5116.0000</b>

Further accessories can be found in the accessories section or in the accessories area of our website at: [kuebler.com/accessories](http://kuebler.com/accessories).  
Additional connectors can be found in the connection technology section or in the connection technology area of our website at: [kuebler.com/connection\\_technology](http://kuebler.com/connection_technology).

Technical data	
Mechanical characteristics	
<b>Maximum speed</b>	6000 min <sup>-1</sup>
<b>Starting torque at 20°C [68°F]</b>	< 0.06 Nm
<b>Shaft load capacity</b>	radial 40 N axial 20 N
<b>Weight</b>	approx. 0.2 kg [7.06 oz]
<b>Protection acc. to EN 60529/DIN 40050-9</b>	IP67 / IP69k
<b>Working temperature range</b>	-40°C ... +85°C [-40°F ... +185°F]
<b>Materials</b>	shaft / hollow shaft stainless steel flange aluminum housing zinc die-cast cable PUR
<b>Shock resistance acc. to EN 60068-2-27</b>	5000 m/s <sup>2</sup> , 6 ms
<b>Vibration resistance acc. to EN 60068-2-6</b>	300 m/s <sup>2</sup> , 10 ... 2000 Hz
<b>Permanent shock resistance acc. to EN 60068-2-27</b>	1000 m/s <sup>2</sup> , 2 ms
<b>Vibration (broad-band random) acc. to EN 60068-2-64</b>	5 ... 2500 Hz, 100 m/s <sup>2</sup> - rms
Electrical characteristics	
<b>Power supply</b>	8 ... 30 V DC
<b>Current consumption (no load)</b>	max. 25 mA
<b>Reverse polarity protection of the power supply</b>	yes
<b>Measuring range</b>	360°
<b>Absolute accuracy, 25°C [77°F]</b>	±1°
<b>Repeat accuracy, 25°C [77°F]</b>	±0.2°
<b>Data refresh rate</b>	400 µs
<b>CE compliant acc. to</b>	EMC guideline 2014/30/EU RoHS guideline 2011/65/EU
Diagnostic LED (two-color, red/green)	
<b>LED ON or blinking</b>	red error display green status display

# Absolute encoders - singleturn

<b>Compact magnetic</b>	<b>Sendix M3658 / M3678 (shaft / hollow shaft)</b>	<b>CANopen</b>
-------------------------	--	----------------

Interface characteristics CANopen	
<b>Resolution</b>	1 ... 16384 (14 bit), scalable default: 16384 (14 bit)
<b>Interface</b>	CAN high-speed acc. to ISO 11898, Basic- and Full-CAN, CAN specification 2.0 B
<b>Protocol</b>	CANopen profile DS406 V3.2 with manufacturer-specific add-ons, LSS-Service DS305 V2.0
<b>Baud rate</b>	10 ... 1000 kbit/s software configurable

<b>Baud rate</b>	10 ... 1000 kbit/s software configurable
<b>Node address</b>	1 ... 127 software configurable
<b>Termination</b>	software configurable
<b>LSS protocol</b>	CIA LSS protocol DS305, global command support for node address and baud rate, selective commands via attributes of the identity object

## General information about CANopen

The CANopen encoders support the latest CANopen communication profile according to DS301 V4.2.

In addition, device specific profiles like the encoder profile DS406 V3.2 are available.

The following operating modes may be selected: Polled Mode, Cyclic Mode, Sync Mode. Moreover, scale factors, preset values, limit switch values and many other additional parameters can be programmed via the CANbus.

When switching the device on, all parameters are loaded from an EEPROM, where they were saved previously to protect them against power-failure.

The following output values may be combined in a freely variable way as PDO (PDO mapping): **position**, **speed** as well as the **status of the working area**.

The encoders are available with a connector or a cable connection.

The device address and baud rate can be set/modified by means of the software.

The two color LED located on the back indicates the operating or fault status of the CANbus, as well as the status of the internal diagnostics.

## CANopen communication profile DS301 V4.02

Among others, the following functionality is integrated.

Class C2 functionality:

- NMT slave.
- Heartbeat protocol.
- Identity object.
- Error behavior object.
- Variable PDO mapping self-start programmable (power on to operational), 3 sending PDO's.
- Node address, baud rate and CAN bus / programmable termination.

## CANopen encoder profile DS406 V3.2

The following parameters can be programmed:

- Event mode.
- 1 work area with upper and lower limit and the corresponding output states.
- Variable PDO mapping for position, speed, work area status.
- Extended failure management for position sensing.
- User interface with visual display of bus and failure status 1 LED two colors.
- Customer-specific memory - 16 Bytes.
- Customer-specific protocol.
- "Watchdog controlled" device.

## LSS protocol profile DS305 V2.0

- Global command support for node ID and baud rate configuration.
- Selective protocol via identity object (1018h).

## CANbus connection

The CANopen encoders are equipped with a bus trunk line in various lengths and can be terminated in the device.

The devices do not have an integrated T-coupler nor they are looped internally and must therefore only be used as end devices.

If possible, drop lines should be avoided, as in principle they lead to signal reflections. As a rule the reflections caused by the drop lines are not critical, if they have completely decayed before the point in time when the scanning occurs.

The sum of all the drop lines should not, for a particular baud rate, exceed the maximum length  $L_u$ .

$L_u < 5\text{ m [16.40']}$  cable length for 125 Kbit.

$L_u < 2\text{ m [6.56']}$  cable length for 250 Kbit.

$L_u < 1\text{ m [3.28']}$  cable length for 1 Mbit.

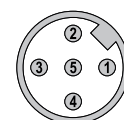
When used as a drop line, the termination resistor should not be activated.

For a network with 3 encoders and 250 Kbit the maximum length of the drop line/ encoder must not exceed 70 cm.

## Terminal assignment

Interface	Type of connection	Cable (isolate unused cores individually before initial start-up)					
C	2, B	Signal:	+V	0 V	CAN_GND	CAN_H	CAN_L
		Core color:	BN	WH	GY	GN	YE
Interface	Type of connection	M12 connector, 5-pin					
C	4	Signal:	+V	0 V	CAN_GND	CAN_H	CAN_L
		Pin:	2	3	1	4	5

## Top view of mating side, male contact base



M12 connector, 5-pin

# Absolute encoders - singleturn

**Compact magnetic**

**Sendix M3658 / M3678 (shaft / hollow shaft)**

**CANopen**

## Dimensions shaft version

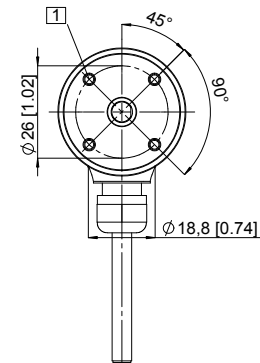
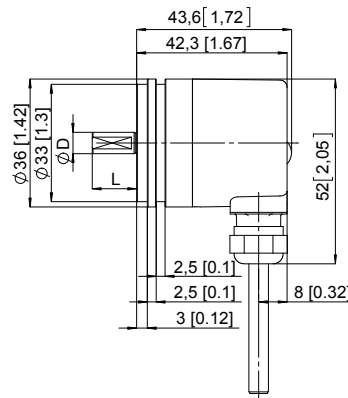
Dimensions in mm [inch]

### Synchro flange, $\varnothing$ 36 [1.42]

#### Flange type 2

(drawing with cable)

1 4 x M3, 6 [0.24] deep



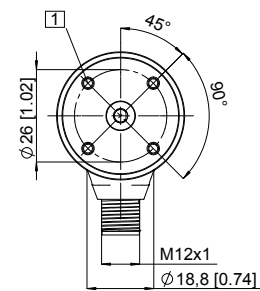
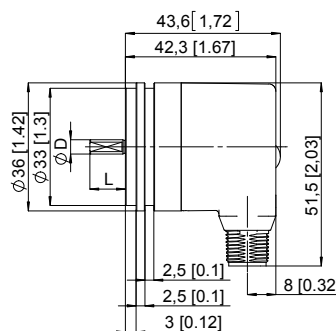
D	Fit	L
6 [0.24]	h7	12.5 [0.49]
8 [0.32]	h7	12.5 [0.49]
1/4"	h7	12.5 [0.49]

### Synchro flange, $\varnothing$ 36 [1.42]

#### Flange type 2

(drawing with M12 connector)

1 4 x M3, 6 [0.24] deep



D	Fit	L
6 [0.24]	h7	12.5 [0.49]
8 [0.32]	h7	12.5 [0.49]
1/4"	h7	12.5 [0.49]

# Absolute encoders - singleturn

**Compact magnetic**

**Sendix M3658 / M3678 (shaft / hollow shaft)**

**CANopen**

## Dimensions hollow shaft version

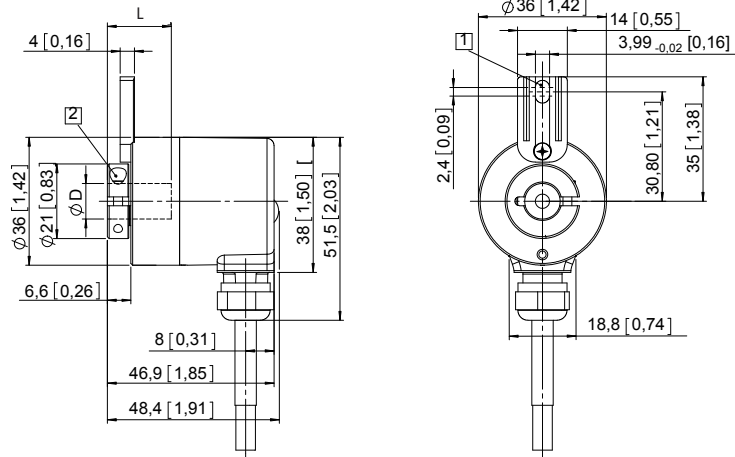
Dimensions in mm [inch]

### Flange with spring element, long Flange type 2

- 1 Slot spring element, recommendation: cylindrical pin DIN 7,  $\varnothing 4$  [0.16]
- 2 Recommended torque for the clamping ring 0.7 Nm

D	Fit	L
6 [0.24]	H7	18 [0.71]
8 [0.32]	H7	18 [0.71]
10 [0.39]	H7	18 [0.71]
1/4"	H7	18 [0.71]

L = insertion depth blind hollow shaft



### Flange with stator coupling, $\varnothing 46$ [1.81] Flange type 5

- 1 Recommended torque for the clamping ring 0.7 Nm

D	Fit	L
6 [0.24]	H7	18 [0.71]
8 [0.32]	H7	18 [0.71]
10 [0.39]	H7	18 [0.71]
1/4"	H7	18 [0.71]

L = insertion depth blind hollow shaft

