



LCD Digital Panel Meters

Digital Meters

3½ Digit LCD



FEATURES

- Space saving design only 0.67" (17mm) deep
- Occupies less than 2.5 x 1.1 inches of front panel space
- High contrast LCD
- 3½ digits with 0.39" LCD
- Snap-In bezel eliminates the need for mounting hardware
- Low power requirement (3mA) is ideal for battery powered applications
- User-selectable decimal points

SPECIFICATIONS

DISPLAY

Digits: 3 ½ digits (± 1999 counts)
Type: 0.39" (10mm) high contrast reflective LCD
Polarity: automatic, "-" displayed.
Decimal Points: 3 position, user-selectable
Overrange: three lower order digits blank for inputs >1999 & < -1999
display hold function is standard

Hold:

INPUTS

Ranges: ± 200.0 mV, ± 2.000 V, ± 20.00 VDC
Configuration: bipolar, differential
Protection: ± 350 VDC, (± 100 VDC on 200 mV range)
Impedance: >1 M Ω , (>10 M Ω on 200 mV range)

PERFORMANCE

Accuracy: $\pm(0.1\% + 1$ counts) typical
 $\pm(0.2\% + 2$ counts) maximum

Conversion Rate: 3 per second
Normal Mode Rejection: >30 dB @ 60 Hz

Common Mode Range: ± 1 VDC

Common Mode Rej.: >86 dB

Zero Adjustment: automatic

Warmup: 10 minutes typical

Temperature Coeff.: ± 100 ppm per $^{\circ}\text{C}$ typical

ENVIRONMENT

Operating Range: 0 to 50 $^{\circ}\text{C}$

Storage Range: -20 to 70 $^{\circ}\text{C}$

POWER SUPPLY

Voltage: $+5$ VDC ($\pm 5\%$)

Current: 3 mA

MOUNTING

snap-in bezel mount

CONNECTION

10 pins, 0.025" square on 0.1" centers

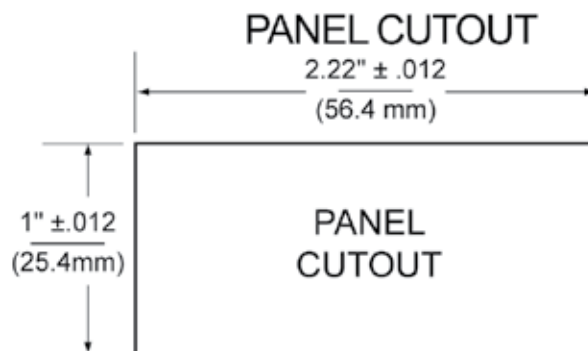
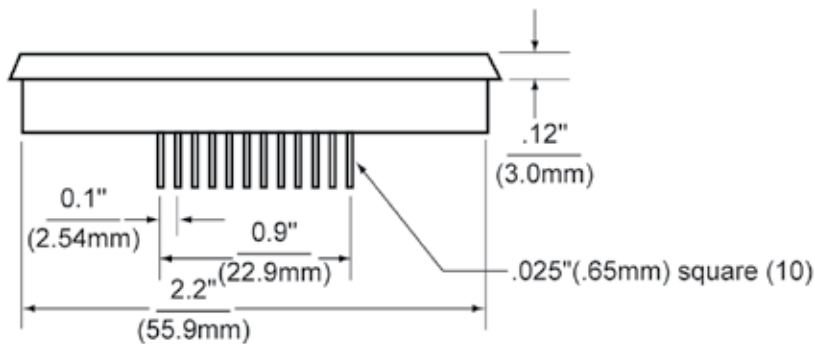
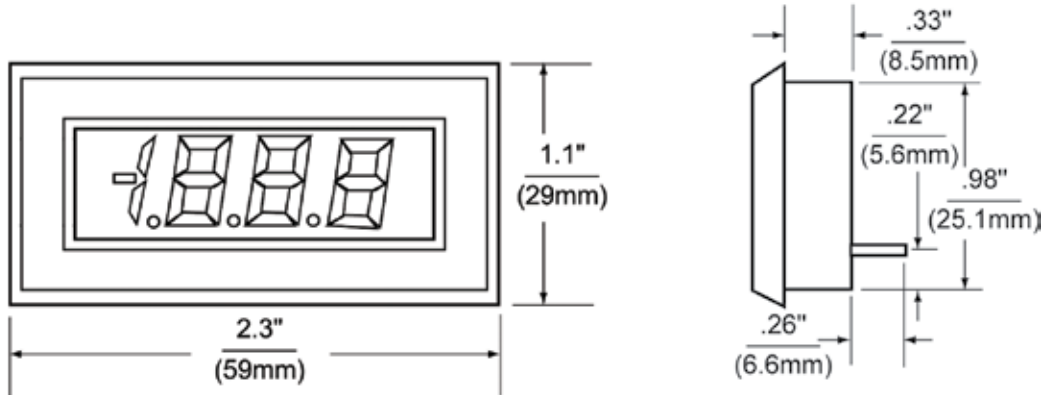


LCD Digital Panel Meters

Digital Meters

3½ Digit LCD

DIMENSIONS





LCD Digital Panel Meters

Digital Meters

3½ Digit LCD

CONNECTION DESCRIPTION

PIN DESCRIPTION

+5V	+5V DPM POWER SUPPLY
GND	DPM POWER SUPPLY GROUND
DP.C	DECIMAL POINT RETURN
DP.1	1XX.X
DP.2	1X.XX
DP.3	1.XXXX
IN (+)	POSITIVE INPUT SIGNAL
IN (-)	NEGATIVE INPUT SIGNAL
NC	NO CONNECTION REQUIRED
HOLD	HOLD LAST DISPLAY

HOW TO ORDER

PART NUMBER	METER INPUT
HDMO-65T	200mV
HDMO-66T2V
HDMO-67T20V

ACCESSORIES

HC10-5	5" - 10 Pin Connector / Wire Assembly
HJ1C10	12" - 10 Pin Connector / Wire Assembly
HPW2-5	Regulated 120V AC to 5V DC Power Supply
HCVC	Calibrator