



# LCD Digital Panel Meters

Digital Meters

3½ Digit LCD



## FEATURES

- Space saving design only 0.67" (17mm) deep
- Occupies less than 2.5 x 1.1 inches of front panel space
- High contrast LCD
- 3½ digits with 0.39" LCD
- Snap-In bezel eliminates the need for mounting hardware
- Low-power requirement (3mA) is ideal for battery powered applications
- User-selectable Decimal Points

## SPECIFICATIONS

### DISPLAY

**Digits:** 3 ½ digits ( $\pm 1999$  counts)  
**Type:** 0.39" (10mm) high contrast reflective LCD  
**Polarity:** automatic, "-" displayed.  
**Decimal Points:** 3 position, user selectable  
**Overrange:** three lower order digits blank for inputs  $>1999$  &  $< -1999$   
display hold function is standard

### Hold:

### INPUTS

**Ranges:**  $\pm 200.0$  mV,  $\pm 2.000$  V,  $\pm 20.00$  VDC  
**Configuration:** bipolar, differential  
**Protection:**  $\pm 350$  VDC, ( $\pm 100$  VDC on 200 mV range)  
**Impedance:**  $>1$  M $\Omega$ , ( $>10$  M $\Omega$  on 200 mV range)

### PERFORMANCE

**Accuracy:**  $\pm(0.1\% + 1$  counts) typical  
 $\pm(0.2\% + 2$  counts) maximum

**Conversion Rate:** 3 per second  
**Normal Mode Rejection:**  $>30$  dB @ 60 Hz

**Common Mode Range:**  $\pm 1$  VDC

**Common Mode Rej.:**  $>86$  dB

**Zero Adjustment:** automatic

**Warmup:** 10 minutes typical

**Temperature Coeff.:**  $\pm 100$  ppm per  $^{\circ}\text{C}$  typical

### ENVIRONMENT

**Operating Range:** 0 to 50  $^{\circ}\text{C}$

**Storage Range:** -20 to 70  $^{\circ}\text{C}$

### POWER SUPPLY

**Voltage:** +5 VDC ( $\pm 5\%$ )

**Current:** 3 mA

**MOUNTING** snap-in bezel mount

**CONNECTION** 10 pins, 0.025" square on 0.1" centers

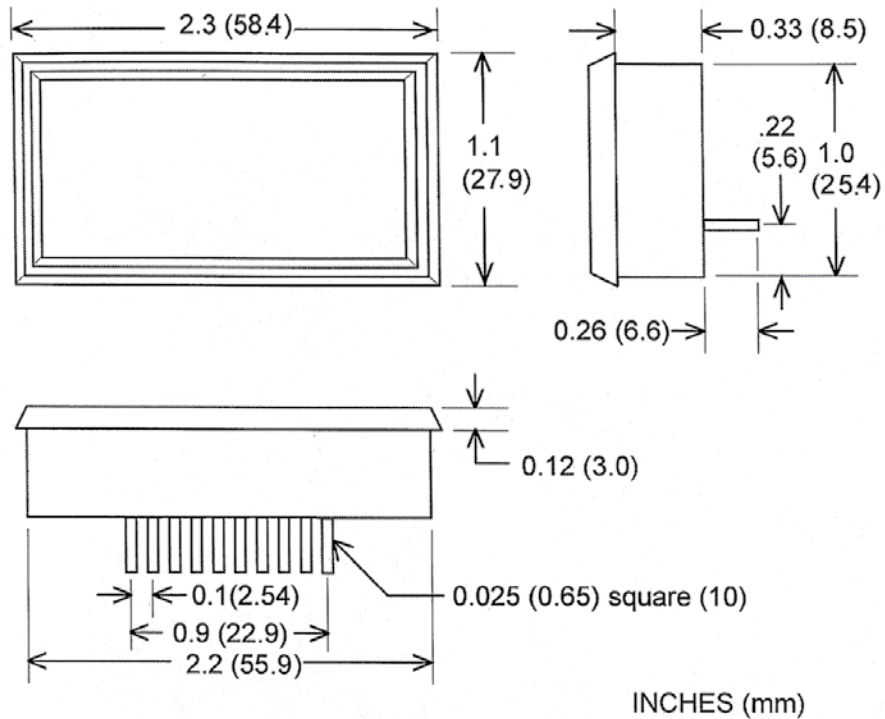


# LCD Digital Panel Meters

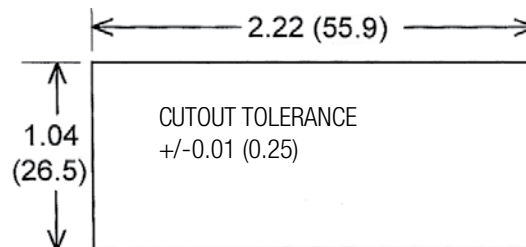
**Digital Meters**

3½ Digit LCD

## DIMENSIONS



CUTOUT





# LCD Digital Panel Meters

## Digital Meters

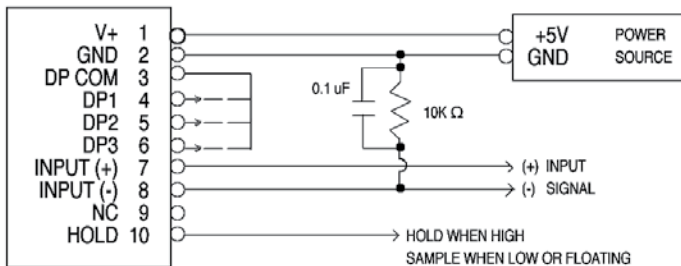
3½ Digit LCD

### CONNECTION DESCRIPTIONS

Pin No.	Pin Name	Description
1	+5V	+5V DPM power supply
2	GND	Power supply ground
3	DPC	Decimal point return
4	DP1	1XX.X (connect to DP COM to turn on)
5	DP2	1X.XX (connect to DP COM to turn on)
6	DP3	1.XXX (connect to DP COM to turn on)
7	INPUT(+)	Positive input signal
8	INPUT(-)	Negative input signal
9	NC	No connection required
10	HOLD	Hold last display

### HOW TO ORDER

PART NUMBER	METER INPUT
H9650F0 .....	200mV
H9652F0 .....	2V
H9654F0 .....	20V
HC10-5 .....	5" - 10 Pin Connector / Wire Assembly
HJ1C10 .....	12" - 10 Pin Connector / Wire Assembly
HPW2-5 .....	Regulated 120V AC to 5V DC Power Supply



The input common mode range is  $\pm 1V_{dc}$ . If INPUT (-) is not directly connected to GND, a 10k resistor network can be connected as shown to reduce unstable readings.

Unused pins should be left open.

**CAUTION:** Damage to the unit can occur if the power source polarity is reversed, or a greater than 6V is applied between pins 1 & 2