



# Industrial Panel Meters

## Round Meters, Phenolic Cases



2-1/2"  
17/3 ■ D.C. Moving Coil  
552 ■ A.C. Repulsion

3-1/2"  
582 ■ D.C. Moving Coil  
584 ■ A.C. Repulsion

### FEATURES

- This series was designed to meet industrial requirements where rugged phenolic cases with glass fronts provide long service under adverse conditions.
- Round models sizes in 2-1/2" and 3-1/2" are produced in either the  $\pm 2\%$  of full scale AC repulsion or DC Moving Coil version.
- AC ranges are standard up to 50 amperes self contained and 600 AC volts.

- Ranges down to 10 milliamperes AC are also standard.
- DC ranges from 20 microamperes to 50 millivolts to 750 volts DC.
- High current ammeter ranges with external shunt are available, as are special or non-standard ranges.

For exact specifications and certified dimensions please contact Hoyt.

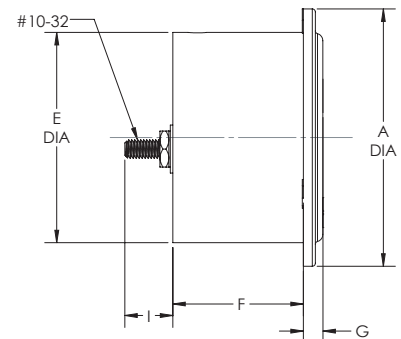
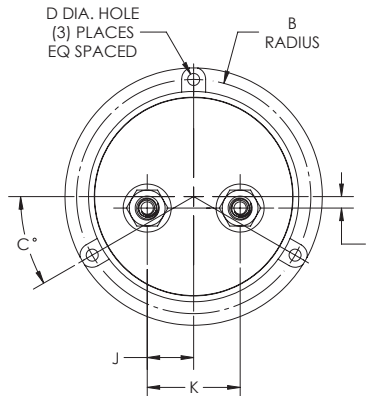
### DIMENSIONS

- FLUSH MOUNTED PHENOLIC (option code: P)



2-1/2"  
17/3 ■ D.C. Moving Coil  
552 ■ A.C. Repulsion

3-1/2"  
582 ■ D.C. Moving Coil  
584 ■ A.C. Repulsion



- ALL DIMENSIONS IN INCHES

MODELS	A	B	C	D	E	F	G	H	I	J	K	L
17-3/552	2.69	1.22	30	0.12	2.20	1.38	0.20	10-32	0.50	0.48	0.97	0.00
582/584	3.50	1.58	30	0.14	2.75	1.39	0.26	10-32	0.50	0.48	0.97	0.25