



LCD Digital Panel Meters

Digital Meters

Adjustable Voltage Powered 4½ Digit



DISPLAY

Digits: 4 ½ digits (± 19999 counts)

Type: 0.45" (11.4 mm) 7 segment LCD

Backlighting:

Optional Red Negative (red number/black background)

Optional Green Negative (green number/black background)

Optional Green Positive (black numbers/green background)

Polarity Ind.: automatic, "-" displayed

Annunciators: °F, °C, PSI, %, user-selectable or V, A, KW, PF

Decimal Points: 4 position, user-selectable

Overrange: 4 lower order digits blank for inputs >1999 & < -1999

INPUTS

Ranges: 0-10 VDC, 0-5 VDC or 0-200 mV DC

Configuration: single ended

Impedance: 390K Ω min.

PERFORMANCE

Conversion Rate: 3 per second

Normal Mode Rejection: >30 dB @ 60 Hz

Warmup: 10 min typical

Temperature Coeff: ± 100 ppm per °C typical

Offset Range: -19999 to +19999

Gain Range: 1-20000 counts above adjusted zero

ENVIRONMENT

Operating Range: 0 to 50 °C, Storage Range: -10 to 60 °C

POWER SUPPLY

12 VDC or 24 VDC regulated (selectable)

Optional Backlight: 24 VDC at 35 mA

MOUNTING: Snap-in Bezel mount, Window mount (optional)

CONNECTION: 4 screw terminal (6 with backlight)

FEATURES

Optional RED, GREEN or AMBER backlighting

Snap-in bezel mount eliminates mounting hardware.

Resistant to RF and EMI.

Optional window mount.

4½ digits with high-contrast LCD.

12V or 24V DC voltage-powered.

User-selectable, displayed engineering units.

Hoyt Electrical Instrument Works, Inc.

www.hoytmeter.com

23 Meter Street
Penacook, NH 03303

Phone: (800) 258-3652
Fax: (603) 753-9592
Email: sales@hoytmeter.com

Page 1 (2)

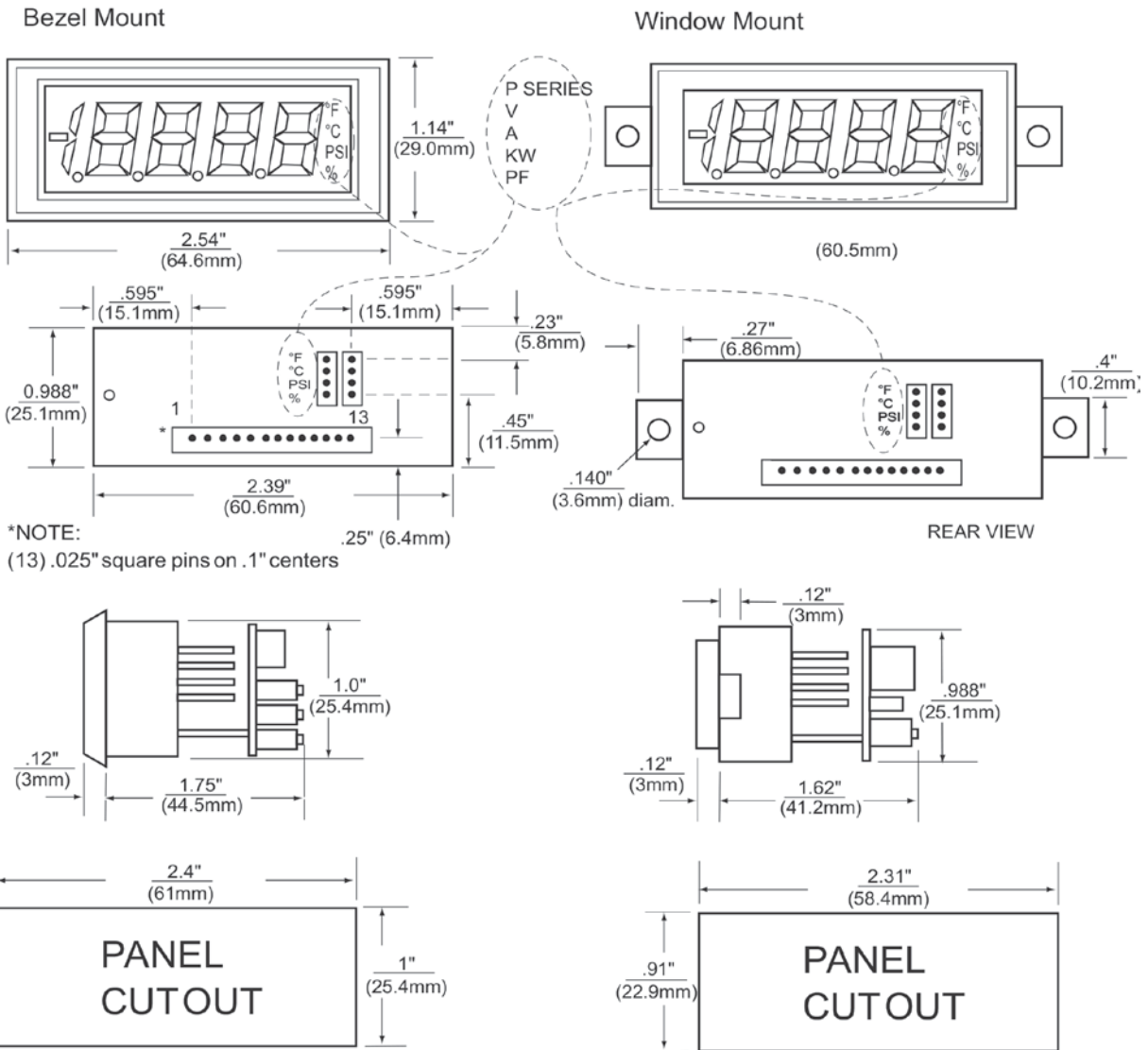


LCD Digital Panel Meters

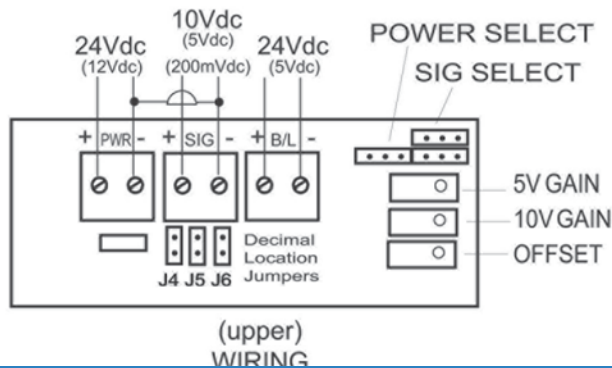
Digital Meters

Adjustable Voltage Powered 4½ Digit

DIMENSIONS



WIRING



Decimal Point Selection

1. Locate jumpers J4 through J6 in the middle of the circuit board unit.
2. Jumper the appropriate decimal location as follows:
 J4 - 000.0
 J5 - 00.00
 J6 - 0.000
 None - 0000