



# LCD Digital Panel Meters

## Digital Meters

Adjustable Voltage Powered 4½ Digit



### SPECIFICATIONS

#### DISPLAY

**Digits:** 4 ½ digits ( $\pm 19999$  counts)  
**Type:** .45" (11.4 mm) 7 segment high contrast LCD  
**Polarity:** automatic, "-" displayed  
**Annunciators:** °F, °C, PSI, %, user selectable  
**Decimal Points:** 4 position, user selectable  
**Overrange:** four lower order digits blank for inputs  $>19999$  &  $< -19999$

#### INPUTS

**Voltage Ranges:** 5 V, 10 V adjustable, 200mV fixed  
**Configuration:** single ended  
**Impedance:** 390K $\Omega$

#### PERFORMANCE

**Accuracy:**  $\pm(0.05\%$  of full scale + 1 count)  
**Conversion Rate:** 3 per second  
**Normal Mode Rejection:**  $>30$  dB @ 60 Hz  
**Warmup:** 10 minutes typical  
**Temperature Coeff.:**  $\pm 100$  ppm per °C typical  
**Adjustments:** 25 turn potentiometers  
**Offset Range:** -19999 to +19999  
**Gain Range:** 1 to 19999 (custom ranges available)

#### ENVIRONMENT

**Operating Range:** -10 to 50 °C  
**Storage Range:** -40 to 75 °C

**POWER SUPPLY** 12/24 DC

**MOUNTING** snap-in panel mount or clamp and gasket (included)

**CONNECTION** screw terminals

### FEATURES

- .45", 4½ digit display
- User-selectable decimal points
- User-selectable engineering units
- Non-backlit LCD or choice of AMBER, GREEN, RED or POS GREEN backlit LCD
- Wide ZERO (Offset) & SPAN (Gain) adjustment
- Snap-in panel mounting
- Gasket and clamp provided for NEMA 4, NEMA 12 & IP66 applications

**Hoyt Electrical Instrument Works Inc.**

23 Meter Street  
Penacook, NH 03303

**Phone:** (800) 258-3852

**Fax:** (603) 753-9592

**Email:** sales@hoytmeter.com

[www.hoytmeter.com](http://www.hoytmeter.com)

H030314

Page 1 of 3

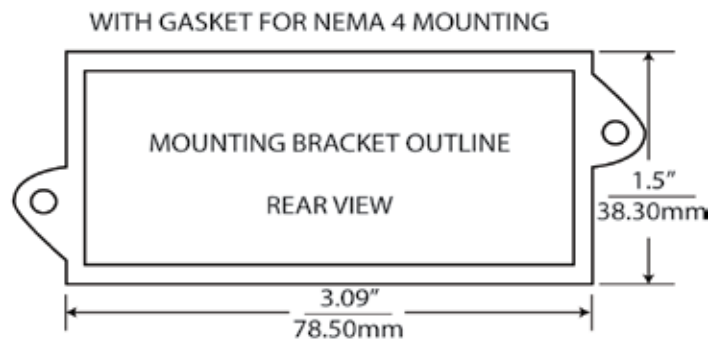
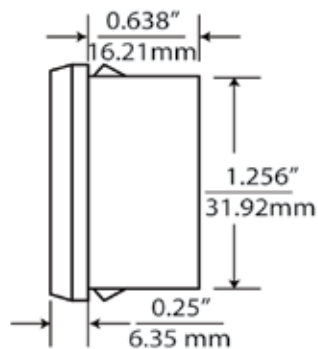
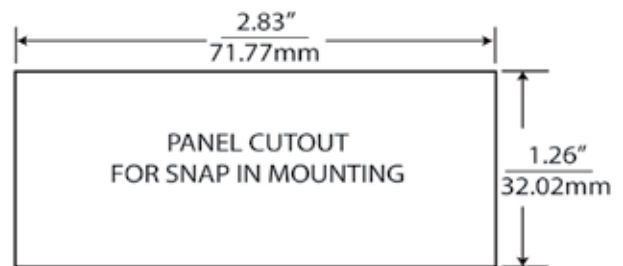
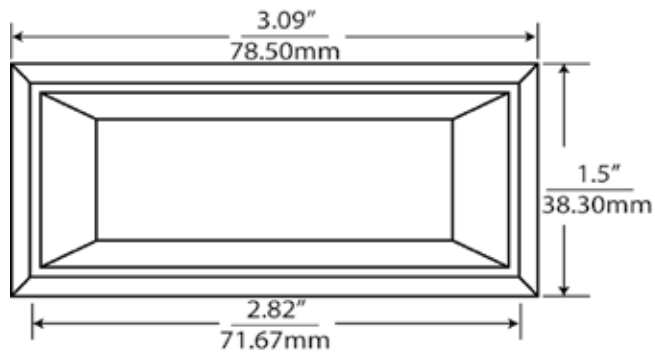


# LCD Digital Panel Meters

## Digital Meters

Adjustable Voltage Powered 4½ Digit

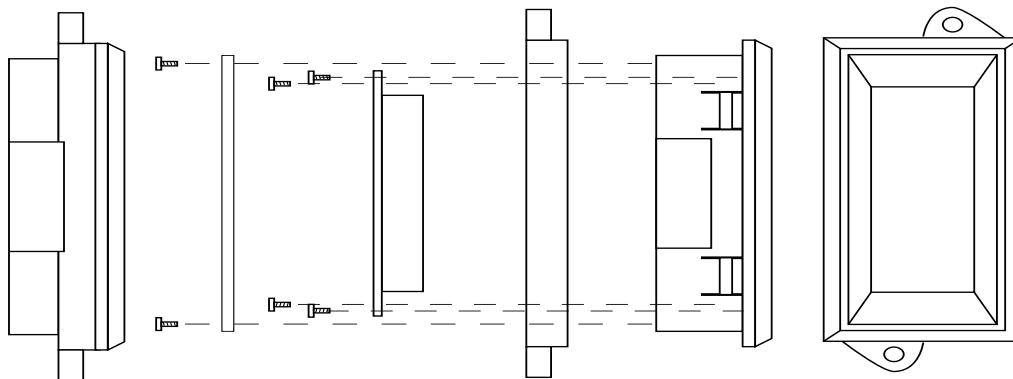
### DIMENSIONS



inches  
mm

**NOTES:**

1. Panel thickness is: 0.032"/0.81mm to 0.25"/6.35mm
2. Gasket supplied is: 0.09"/2.25mm thick



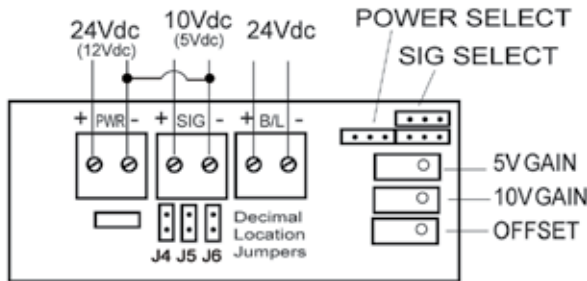


# LCD Digital Panel Meters

## Digital Meters

Adjustable Voltage Powered 4½ Digit

### JUMPER SELECTION & WIRING

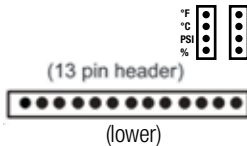


#### Decimal Point Selection

1. Locate jumpers J4 through J6 in the middle of the circuit board unit.

2. Jumper the appropriate decimal location as follows:

- J4 - 000.0
- J5 - 00.00
- J6 - 0.000
- None - 0000



### HOW TO ORDER

PART NUMBER	BACKLIGHT COLOR	METER INPUT	METER POWER
HVPI-4-XEC	NO BACKLIGHT	Voltage	12/24VDC
HVPI-4A-XEC	AMBER	Voltage	12/24VDC
HVPI-4G-XEC	GREEN	Voltage	12/24VDC
HVPI-4R-XEC	RED	Voltage	12/24VDC
HVPI-4GP-XEC	POS GREEN	Voltage	12/24VDC

#### ACCESSORIES

HPW2-12	Regulated 120V AC to 12V DC Power Supply
HPW2-24	Regulated 120V AC to 24V DC Power Supply
HPW1.0	24V AC to adjustable DC output
HPW1.5	24V AC to adjustable DC output
HCVC	Calibrator