



LCD Digital Panel Meters

Digital Meters

Large 1" - 3½ Digit AC/DC Powered, Voltage Controlled LCD DPM



FEATURES

- Large 1", 3½ digit display for easy viewing.
- User-selectable decimal points
- User-selectable engineering units
- Optional AMBER, GREEN, RED or BLUE backlit LCD
- Wide ZERO (Offset) & SPAN (Gain) adjustment
- Standard 1/8 DIN package
- Snap-in panel mounting

SPECIFICATIONS

DISPLAY

Digits: 3 ½ digits (± 1999 counts)
Type: 1" (24.9 mm) 7 segment high contrast LCD
Polarity: automatic, "-" displayed
Annunciators: °F, °C, PSI, %, user selectable
Decimal Points: 3 position, user selectable
Overrange: three lower order digits blank for inputs >1999 & <-1999

INPUTS

Voltage Ranges: 5 V, 10 V adjustable, 200mV fixed
Configuration: single ended

PERFORMANCE

Accuracy: $\pm(0.05\%$ of full scale + 1 count)
Conversion Rate: 3 per second
Normal Mode Rejection: >30 dB @ 60 Hz
Warmup: 10 minutes typical
Temperature Coeff.: ± 100 ppm per °C typical
Adjustments: 25 turn potentiometers
Offset Range: -1999 to +1999
Gain Range: 1 to 1999 (custom ranges available)

ENVIRONMENT

Operating Range: -10 to 50 °C
Storage Range: -40 to 75 °C

POWER SUPPLY 24 VAC/DC

MOUNTING snap-in panel mount

CONNECTION screw terminals

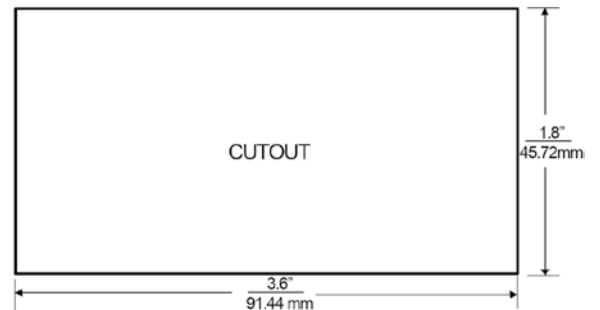
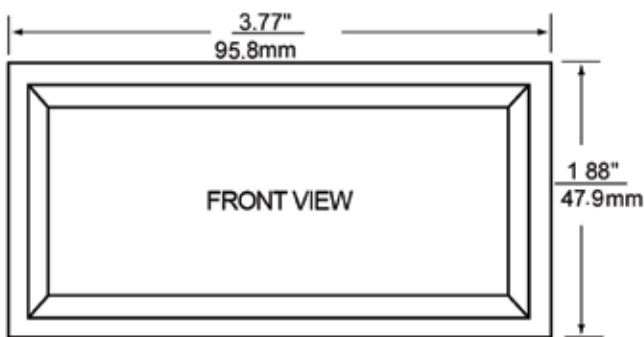


LCD Digital Panel Meters

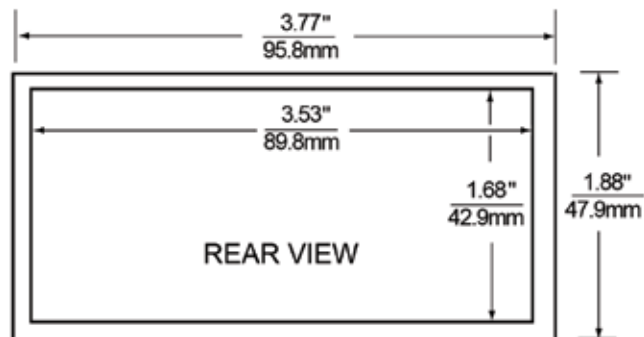
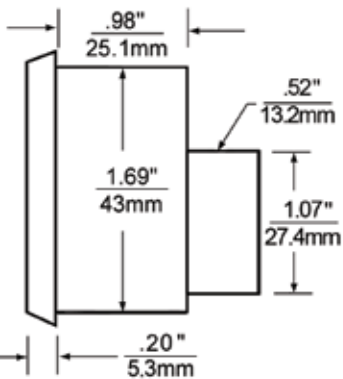
Digital Meters

Large 1" - 3½ Digit AC/DC Powered, Voltage Controlled LCD DPM

DIMENSIONS



Inches
mm



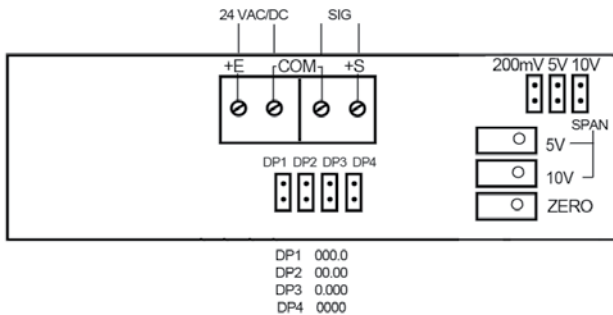


LCD Digital Panel Meters

Digital Meters

Large 1" - 3½ Digit AC/DC Powered, Voltage Controlled LCD DPM

JUMPER SELECTION & WIRING



HOW TO ORDER

| PART NUMBER | BACKLIGHT COLOR | METER INPUT | METER POWER |
|-------------|-----------------|-------------|-------------|
| HVPI-24AC | NONE | Voltage | 24VAC/DC |
| HVPI-A24AC | AMBER | Voltage | 24VAC/DC |
| HVPI-B24AC | BLUE | Voltage | 24VAC/DC |
| HVPI-G24AC | GREEN | Voltage | 24VAC/DC |
| HVPI-R24AC | RED | Voltage | 24VAC/DC |

ACCESSORIES

HCVC Calibrator