



# HST-98

## Analog Meter

### HST-98



#### FEATURES

- **Case And Composition:** ABS case and PC cover  
 Two Stud mounting  
 [window mount option included]  
 +2.0% full scale value
- **Color:** Black case and white scale plate
- **Pointer:** Tube-type, Black
- **Hz Meter:**  
 Ranges: 45-65Hz, 45-66Hz, 66-65Hz  
 Rated Voltage: 120V, 240V, 380V  
 Accuracy: +2.0% full scale.

#### CROSS-REFERENCE

- Equivalent to Yokogawa (YCA) Horizon Series

#### AVAILABLE RANGES

- Consult Hoyt for other measuring ranges and scales

#### Measuring Ranges:

Moving Coil Types

DC uA	DC mA	DC A	DC mV	DC V
50	1	5	60	3
100	5	1.5	80	5
150	10	6	150	15
200	20	10	500	20
250	80	20		30
300	100			50
500	150			100
	200			150
	250			200
	300			300
	500			600

Rectifier Type

AC A	AC V	AC V
1	2	36
1.5	5	50
5	10	100
10	50	150
20	100	200
	150	300
	200	500
	300	600
	500	
	600	

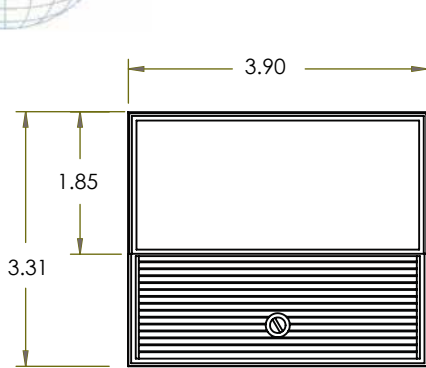


# HST-98

## Analog Meter

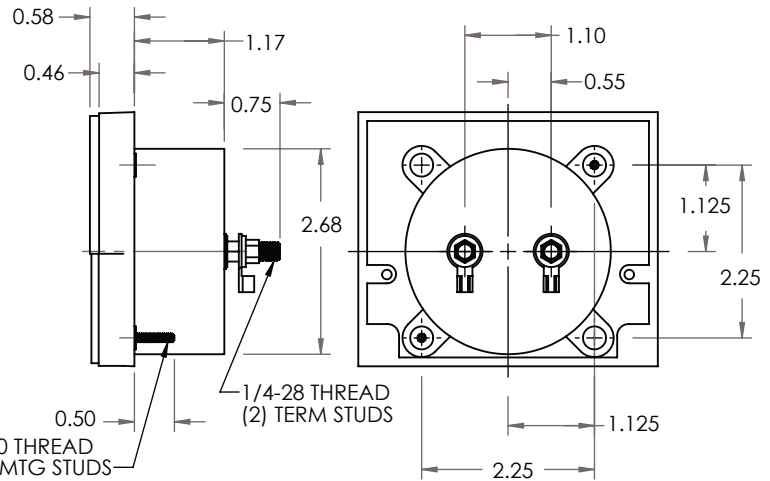
### DIMENSIONS

DIMS ARE INCHES



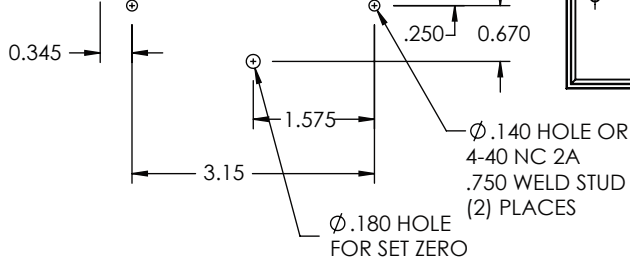
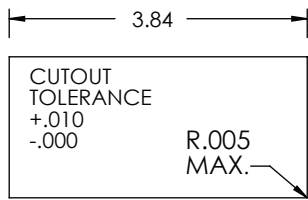
FRONT WITH REMOVABLE COVER/MASK

PANEL CUTOUT BEHIND PANEL MOUNTING



4-40 THREAD (2) MTG STUDS

1/4-28 THREAD (2) TERM STUDS



PANEL CUTOUT FOR SURFACE MOUNTING

