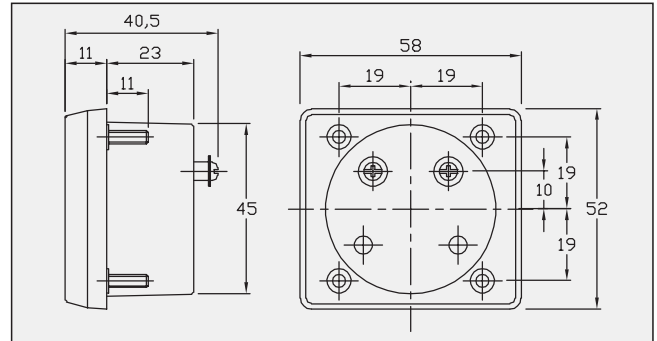
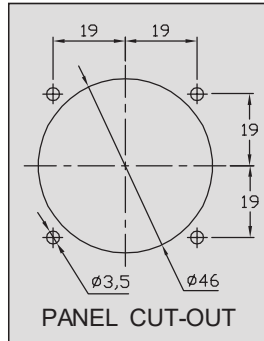
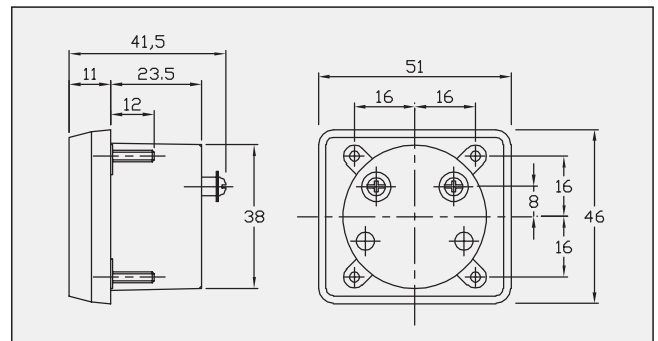
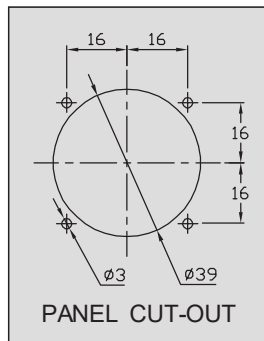


HST-45U



HST-38U



Measuring Ranges :

Moving Coil Type

DC mA	DC A	DC V	
1	1	5	50
50	5	10	100
100	10	15	150
200	20	20	200
300		30	300
500			

- **Case and Composition :**

Acrylic resin front and bakelite case.
Four studs mounting.

- **Accuracy :** Class 2.0

- **Color :** Black case and white scale plate.

- **Pointer :** Tube type color in red.