

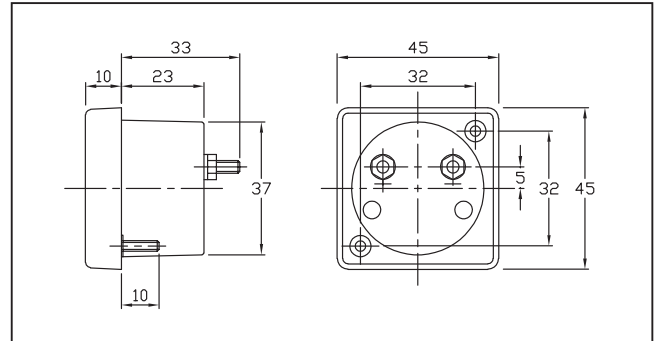
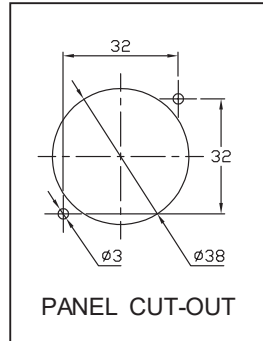


Models HST-38, HST-38N

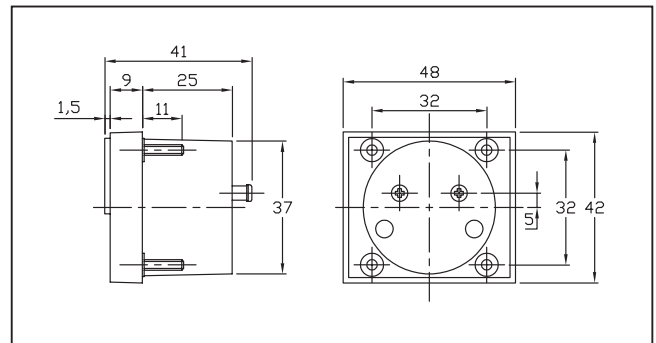
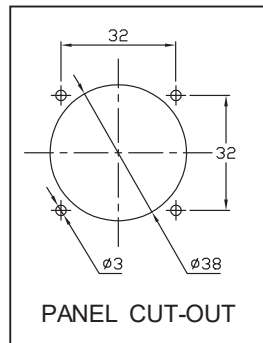
HST Series



ST-38



ST-38N



Measuring Ranges : Moving Coil Type

DC μ A	DC mA	DC A	DC mV	DC V
50	1	1	50	3
100	5	5	60	5
150	10	10	100	10
200	15	20	500	15
250	50	30		20
300	100	50		30
500	150			50
800	200			100
	250			150
	300			200
	500			300
	800			500
				600

Moving Iron Type

AC mA	AC A	AC V
50	1	150
100	5	250
150	10	300
200	15	500
250	20	
300	30	
500	50	
750		

Rectifier Type

AC V
30
50
100
150
200
300
500

DC up to 15A: ST-38, ST-38N

• Hz Meter

Measuring Ranges : 45~55Hz 45~65Hz 55~65Hz
 Rated Voltage : 110V, 220V
 Accuracy : Class 2.0

• Case and Composition :

Acrylic resin front.
 ABS case.
 Four studs mounting
 Two studs mounting

• Accuracy :

DC : Class 2.0 / AC : Class 2.5 / Rectifier : Class 2.0

• Color :

Black case and white scale plate.

• Pointer :

Tube type, color in black or red.