



# Model ST-120

## Analog Panel Meter



### FEATURES

Case and Composition	Polycarbonate front and Polybutylene Terephthalate(PBT). Three studs mounting.
Accuracy	AC Class 2.5 DC Class 2.0 Rectifier calss 2.0
Color	Black case and white scale plate.
Pointer	Sword type color in black.

### SPECIFICATIONS

Hz Meter :  
 Measuring Ranges : 45-65Hz, 45-55Hz, 55-65Hz  
 Rated Voltage : 110V, 220V  
 Accuracy : Class 2.0  
 Consumption : Max. 15mA  
 Test Voltage : 2kV, 50-60Hz

### MEASURING RANGES

#### Moving Coil Type

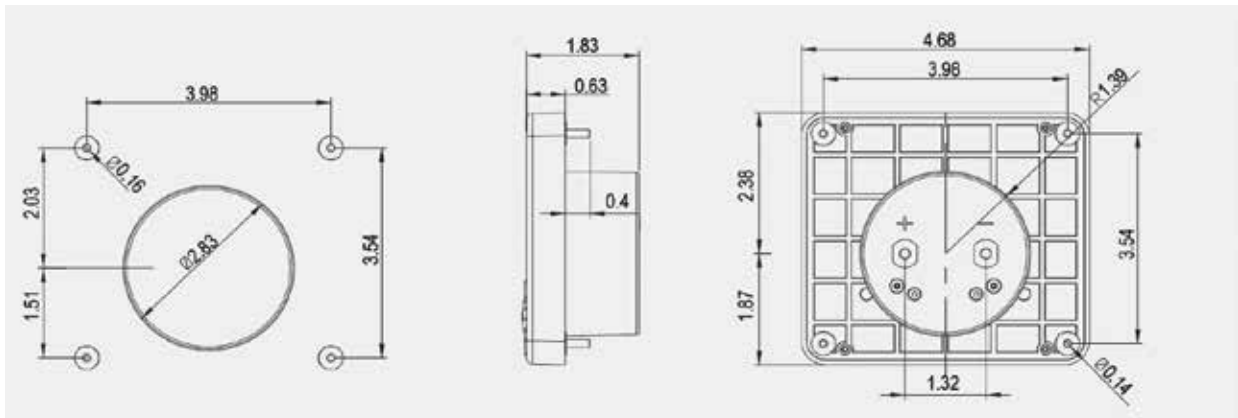
DC uA	DC mA	DC A	DC mV	DC V
50	1 200	1	50	3 200
100	2 250	1.5	60	5 300
150	5 300	10	100	10 500
200	10 500	20	500	20 600
250	20 800	30		30
300	50			50
500	100			100
800	150			150

#### Moving Iron Type

AC mA	AC A	AC V
50	1	150
100	5	250
150	10	300
200	15	500
250	20	600
300	30	
500		
800		

#### Rectifier Type

AC V
30
50
100
150
200
300
500
600



Hoyt Electrical Instrument Works, Inc.

[www.hoytmeter.com](http://www.hoytmeter.com)

23 Meter Street  
 Penacook, NH 03303

Phone: (800) 258-3652  
 Fax: (603) 753-9592  
 Email: [sales@hoytmeter.com](mailto:sales@hoytmeter.com)