



# 300 & 500 Series Elapsed Time Indicators

## Time & Hour Meters



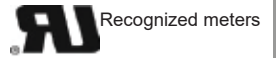
502 HRM (Mechanical)  
503 HRM (Mechanical)



502 HRD (LCD Digital)  
503 HRD (LCD Digital)

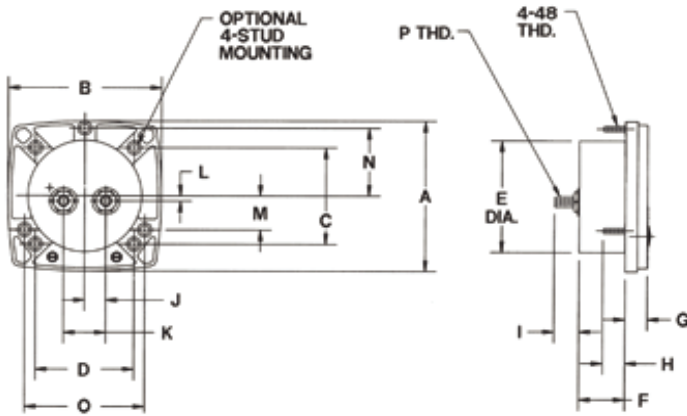
### SPECIFICATIONS

- Accuracy:** Matches frequency control of power system  $\pm 1\%$  Quartz accuracy
- Vibration Shock:** Meets ANSI specification C39.1
- Case Construction:** Lexan case construction, brass terminal studs
- Ranges Available:** All meters available to operate 120, 240 VAC; 50 or 60 Hertz
- Weather Resistant:** All 5000 Series meters are weather resistant.  
Gasket between base and cover protect counter
- Display:** Easy to read 10,000 or 100,000 hour numeric display
- Power Rating:** 0.6 watts
- Operating Temperature:** From  $-25^{\circ}$  to  $185^{\circ}\text{F}$  ( $-32^{\circ}$  to  $80^{\circ}\text{C}$ )



### FEATURES

The solid state electronic drive circuitry in the 502 and 503 HRM / HRD Series effects longer life with no motor and less moving parts. Electronic actuation assures accuracy by eliminating delicate springs and mechanical clock mechanisms that can be affected by vibration and temperature.



MODELS	A	B	C	D	E	F	G	H
502HRM	2.71	2.71	1.88	1.88	2.08	2.16	0.47	0.50
503HRM	3.50	3.50	2.25	2.25	2.60	2.16	0.50	0.50
502HRD	2.71	2.71	1.88	1.88	2.08	1.16	0.47	0.50
503HRD	3.50	3.50	2.25	2.25	2.60	1.16	0.50	0.50

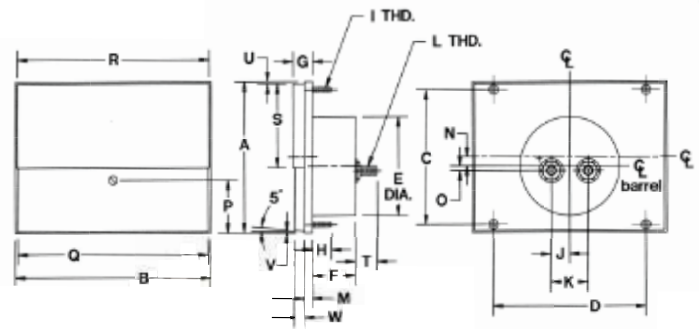
MODELS	I	J	K	L	M	N	O	P
502HRM	0.50	0.48	0.97	0.00	0.61	1.22	2.11	1/4-28
503HRM	0.50	0.48	0.97	0.13	0.79	1.58	2.74	1/4-28
502HRD	0.50	0.48	0.97	0.00	0.61	1.22	2.11	1/4-28
503HRD	0.50	0.48	0.97	0.13	0.79	1.58	2.74	1/4-28



312 HRM (Mechanical)  
313 HRM (Mechanical)



312 HRD (LCD Digital)  
313 HRD (LCD Digital)



MODELS	A	B	C	D	E	F	G	H	I	J	K	L	M	N	O	P	Q	R	S	T	U	V	W
312HRM	2.29	2.99	1.88	1.88	2.08	2.16	0.40	0.50	4-48	0.48	0.97	10-32	0.16	0.00	0.00	0.86	2.89	2.91	1.23	0.50	0.06	0.04	0.19
313HRM	2.89	3.70	2.25	2.25	2.60	2.16	0.42	0.50	4-48	0.48	0.97	10-32	0.18	0.00	0.12	0.96	3.59	3.62	1.55	0.50	0.06	0.04	0.19
312HRD	2.29	2.99	1.88	1.88	2.08	1.16	0.40	0.50	4-48	0.48	0.97	10-32	0.16	0.00	0.00	0.86	2.89	2.91	1.23	0.50	0.06	0.04	0.19
313HRD	2.89	3.70	2.25	2.25	2.60	1.16	0.42	0.50	4-48	0.48	0.97	10-32	0.18	0.00	0.12	0.96	3.59	3.62	1.55	0.50	0.06	0.04	0.19

Hoyt Electrical Instrument Works, Inc.

[www.hoytmeter.com](http://www.hoytmeter.com)

23 Meter Street  
Penacook, NH 03303

Phone: (800) 258-3652  
Fax: (603) 753-9592  
Email: [sales@hoytmeter.com](mailto:sales@hoytmeter.com)