



# HLS-80 Series Switchboard Meters

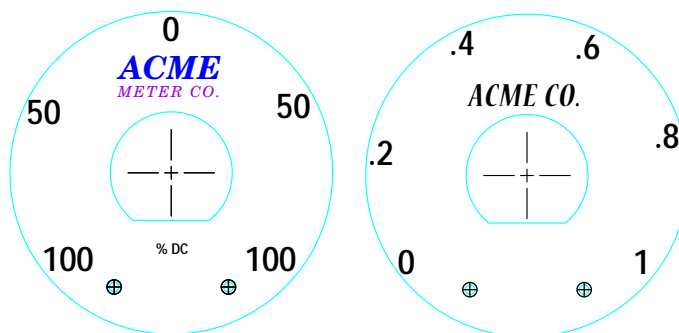


## FEATURES

- The HLS-80 is 3.25" Square.
- UL listed, CE compliant
- All AC moving coil rectifier ammeters and voltmeter are  $\pm 1\%$  accuracy.
- DC Moving coil ammeters and voltmeters  $\pm 1\%$  accuracy.
- Frequency meters  $\pm 0.15\text{Hz}$  (50Hz & 60Hz), and all power meters are  $\pm 1\%$  accuracy.
- All AC & DC voltmeters - 50% momentary/20% prolonged.
- AC & DC ammeters - 50% momentary/20% prolonged.
- Frequency meters - 20% maximum; and power meters - 20% maximum. All ammeters and power meters  $< 0.5\text{VA}$  maximum.
- Meters are ANSI C39.1

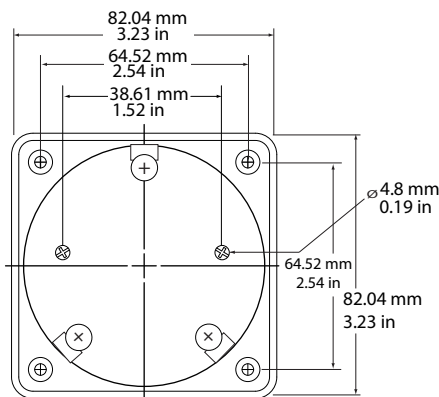
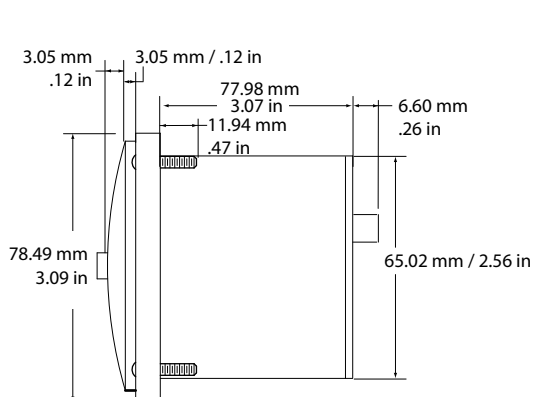
## CUSTOM

CUSTOM ARTWORK, CUSTOM SCALES AND LOGOS, PRINTED IN HOUSE.

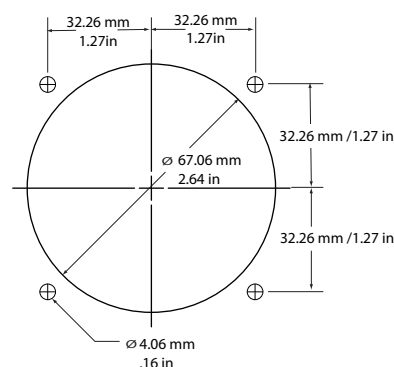


\*Some available options include custom artwork, colored dials, traceable calibration, custom logos, panel gaskets, and anti-glare window.

## DIMENSIONS



## PANEL CUT-OUT





# HLS-80 Series Switchboard Meters

## Measuring Ranges:

If you don't see a range you are looking for listed below, please contact us!

### Moving Coil Type:

VDC	MVDC	MADC
30	50	1
50		4-20
100		
150		
300		

### Moving Iron Type:

AAC
1
2
5
10
15
20
30

### AC Frequency:

HZ
120VAC 55-65
120VAC 45-65
120VAC 45-55
240VAC 55-65
240VAC 45-65
240VAC 45-55

For use with external 5AAC  
current transformer (CT):

AAC
Measuring range:
0-10 A
0-15 A
0-20 A
0-25 A
0-50 A
0-100 A
0-250 A
0-500 A
0-1000 A
0-2500 A
0-5000 A

For use with 150VAC external  
potential transformer (PT):

VAC
Measuring range:
0-300 V
0-600 V
0-750 V
0-3000 V
0-6000 V
0-15 kV
0-18 kV
0-45 kV
0-150 kV

### KILOWATT / KILOVARS

- 1 PHASE- 2 WIRE, 120VAC 5AAC
- 3 PHASE- 3 WIRE, 120VAC 5AAC
- 3 PHASE- 4 WIRE, 120VAC 5AAC

### POWER FACTOR

(0.5 LAG – 0.5 LEAD)

- 1 PHASE- 2 WIRE, 120VAC 5AAC
- 3 PHASE- 3 WIRE / 4 WIRE BALANCED, 120VAC 5AAC

