



LCD Digital Panel Meters

Digital Meters

3½ Digit LCD with adder board for process inputs



FEATURES

- Space saving design only 1.4" (35.6mm) deep
- Occupies less than 2.5 x 1.1 inches of front panel space
- High contrast LCD
- 3½ digits with 0.39" LCD
- Snap-In bezel eliminates the need for mounting hardware
- User-selectable decimal points
- Process input (4 to 20mA) adder board with multi-turn SPAN (GAIN) and ZERO (OFFSET) adjustments
- Loop-powered

SPECIFICATIONS

DISPLAY

Digits: 3 ½ digits (± 1999 counts)
Type: 0.39" (10mm) high contrast reflective LCD
Polarity: automatic, "-" displayed.
Decimal Points: 3 position, user-selectable
Overrange: three lower order digits blank for inputs >1999 & < -1999

INPUTS

Ranges: process inputs, 4 to 20 mA
Configuration: bipolar, differential
Protection: 30 mA max.
Loop Burden: 300 Ω nominal @ 20 mA DC (loop powered)

PERFORMANCE

Accuracy: $\pm(0.1\% + 1 \text{ counts})$ typical
 $\pm(0.2\% + 2 \text{ counts})$ maximum

Conversion Rate: 3 per second
Normal Mode Rejection: $>30 \text{ dB @ } 60 \text{ Hz}$
Adjustments: automatic
Warmup: 10 minutes typical
Temperature Coeff.: $\pm 100 \text{ ppm per } ^\circ\text{C}$ typical

ENVIRONMENT

Operating Range: 0 to 50 $^\circ\text{C}$
Storage Range: -10 to 60 $^\circ\text{C}$

POWER SUPPLY

powered by the 4-20mA current loop

MOUNTING

LCD: snap-in bezel mount
Process Board: plugs onto DPM pins, adds approximately 0.6" (16mm) to depth

CONNECTION

screw terminals on process board

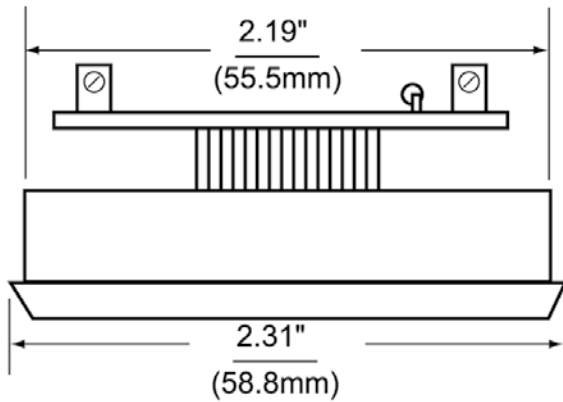


LCD Digital Panel Meters

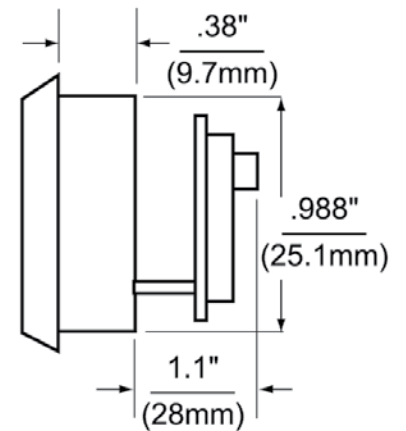
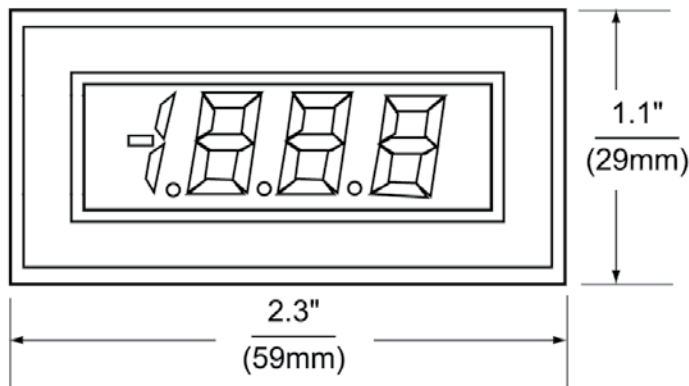
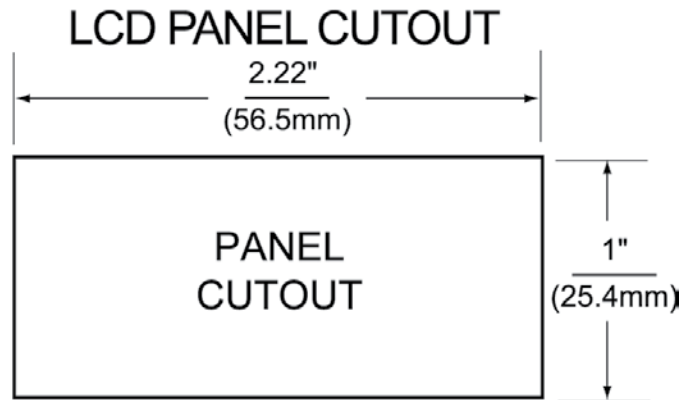
Digital Meters

3½ Digit LCD with adder board for process inputs

DIMENSIONS



LCD DIMENSIONS





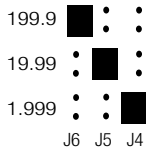
LCD Digital Panel Meters

Digital Meters

3½ Digit LCD with adder board for process inputs

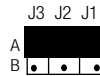
JUMPER SELECTION & WIRING

1. DECIMAL SELECTION:



2. J1, J2, J3 SELECTION:

IF: OFFSET (ZERO) IS 0 or
 OFFSET (ZERO) > 0 and GAIN (SPAN) ÷ OFFSET (ZERO) ≥ 5



IF: OFFSET (ZERO) > 0 and GAIN (SPAN) ÷ OFFSET (ZERO) < 5



HOW TO ORDER

PART NUMBER

METER INPUT

HLPI-1T4 to 20mA Loop Powered

ACCESSORIES

HPW2-24 Regulated 120V AC to 24V DC Power Supply

HCVC Calibrator

