



LCD Digital Panel Meters

Digital Meters

Low Cost 4½ Digit LCD Display



FEATURES

- Low-cost, high-performance replacement for many OEM DPMs
- Window, surface or snap-in mounting
- Low power: choice of 1.5mA (9V) or 2.6mA (+5V)
- Space-saving design: only 1" (25 mm) deep
- Occupies less than 2.5 X 1.1 inches of front panel space
- 4½ digits with high-contrast LCD

SPECIFICATIONS

DISPLAY

Digits: 4 ½ digits (± 19999 counts)
Type: 0.5" (13mm) 7 segment LCD
Polarity: automatic, "-" displayed
Annunciators: "LoBat" when power < 7.2 VDC
Decimal Points: 4 position, user-selectable
Overrange: four lower order digits blank for inputs > 19999 & < -19999

Hold:

standard

INPUTS

Ranges: ± 200.0 mV, ± 2.000 V, ± 20.00 VDC
Configuration: single ended for 9 V powered, differential for 5 V powered
Protection: ± 10 VDC on 200 mV ; ± 100 VDC on @ 2V ; ± 350 VDC on 20 V range
Impedance: > 100 M Ω on ± 200 mV ; (> 1 M Ω on 2 V & 20 V range)
Bias Current: 10 pA typical

PERFORMANCE

Accuracy: $\pm (0.06\% \text{ fs} + 1 \text{ count})$ maximum
Conversion Rate: 2 per second
Normal Mode Rejection: > 30 dB @ 60 Hz
Common Mode Range: ± 1 VDC (5 V powered)
Common Mode Rej.: > 86 dB
Zero Adjustment: automatic
Warmup: 10 minutes typical
Temperature Coeff.: ± 50 ppm per $^{\circ}\text{C}$ typical
 ± 100 ppm max for 200 mV range
 ± 100 ppm per $^{\circ}\text{C}$ typical
 ± 200 ppm max for 2V and 20V ranges

ENVIRONMENT

Operating Range: 0 to 50 $^{\circ}\text{C}$
Storage Range: -20 to 70 $^{\circ}\text{C}$

POWER SUPPLY

5V powered: +5 VDC (4.65 - 5.35) at 2.6 mA
9V powered: +7.2 to +12 V at 1.5 mA

MOUNTING

H4W: surface or window mount
H4S: snap-in bezel mount

CONNECTION

H4W, H4S: 13 pins, 0.025" square on 0.1" centers

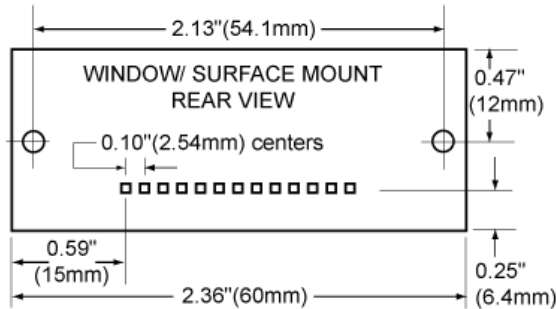
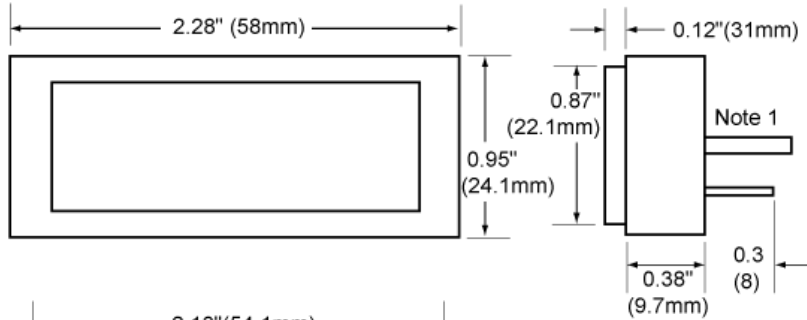


LCD Digital Panel Meters

Digital Meters

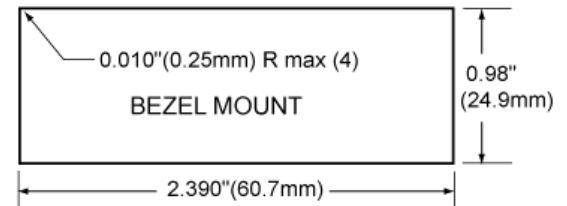
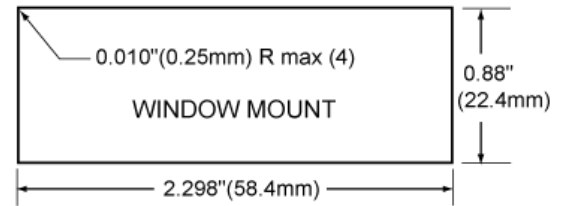
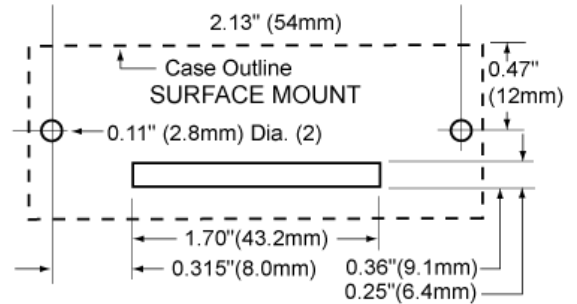
Low Cost 4½ Digit LCD Display

WINDOW/SURFACE MOUNT DIMENSIONS

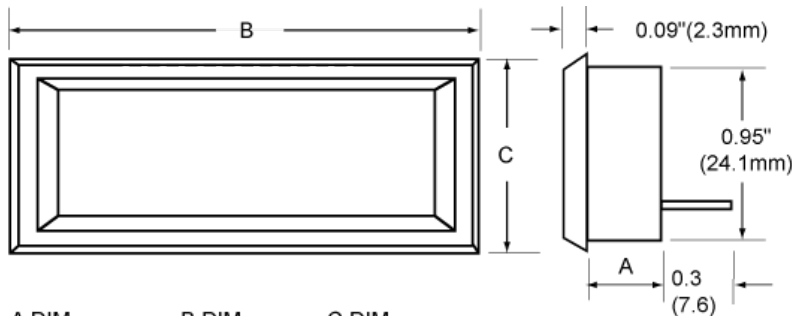


NOTES:
 1. Mounting studs (2) are #2-56, length 0.5 (13) min. Snap in bezel mount does not have mounting studs.

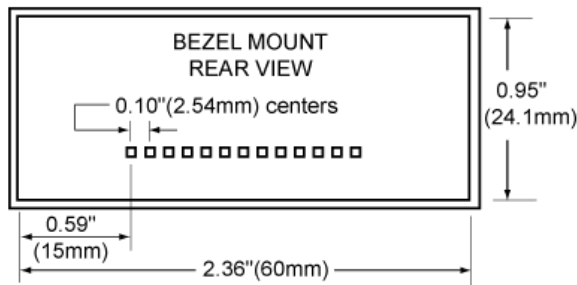
PANEL CUTOUTS



BEZEL MOUNT DIMENSIONS



A DIM.	B DIM.	C DIM.
0.44"(11.2mm)	2.51"(63.8mm)	1.10"(28mm)



INCHES (mm)



LCD Digital Panel Meters

Digital Meters

Low Cost 4½ Digit LCD Display

CONNECTION DESCRIPTION

PIN #	PIN NAME	DESCRIPTION
1	V+	POSITIVE SUPPLY CONNECTION
2	V-	NEGATIVE SUPPLY CONNECTION
3	INHI	INPUT HIGH TERMINAL
4	INLO	INPUT LOW TERMINAL
5	D1	DECIMAL POINT = 000.0
6	D2	DECIMAL POINT = 00.00
7	D3	DECIMAL POINT = 0.000
8	D4	DECIMAL POINT = .0000
9	DP	DP COMMON CONNECT TO DECIMALPOINTS TO ACTIVATE
10	RNG	10:1 RANGE
11	HLD	HOLD FEATURE } CONNECT TO V+ POINTS TO ACTIVATE
12	NC	NO CONNECTION REQUIRED
13	NC	NO CONNECTION REQUIRED

HOW TO ORDER

H4S SERIES

PART NUMBER	METER INPUT	METER POWER
H4S0040N	200mV	+5VDC
H4S0140N	2V	+5VDC
H4S0240N	20V	+5VDC

H4W SERIES

PART NUMBER	METER INPUT	METER POWER
H4W0040	200mV	+5VDC
H4W0090	200mV9V
H4W0140	2V	+5VDC
H4W0190	2V9V

ACCESSORIES

HJ4C13.....	13 Pin Connector / Wire Assembly
HPW2-5.....	Regulated 120V AC to 5V DC Power Supply
HPW2-12.....	Regulated 120V AC to 12V DC Power Supply
HCVC	Calibrator