

Absolute encoders – multitrurn

| | | |
|---|-------------------------------------|---------------------------------|
| Standard Motor-Line, electronic multitrurn, optical | Sendix F5883M (hollow shaft) | SSI / BiSS + incremental |
|---|-------------------------------------|---------------------------------|



The optical Sendix F5883 multitrurn encoder in the Motor-Line version stands out particularly because of its reduced overall depth of only 43 mm with a through hollow shaft up to 15 mm.

This opens up new possibilities when dimensioning the motors and for installation in tight mounting spaces. Its technical features make the F5883 Motor-Line the ideal device for use in geared motors.



| | | | | | | | | | | |
|------------------------------------|--|-------------------------------------|-----------------------------------|------------------------------------|--|---|---|--|---|--|
| 24 bit MT Multitrurn resolution | Safety-Lock™ Resistance against vibration and installation errors | High rotational speed High speed | Temperature range -40°...+85°C | High protection level IP65/IP67 | High shaft load capacity High load capacity | Shock / vibration resistant Resistant to shock and vibration | Magnetic field proof Immune to magnetic fields | Reverse polarity protection Protection against reverse polarity | Intelligent Scan Technology™ High reliability and resolution | Surface protection salt spray-tested optional Salt spray tested |
|------------------------------------|--|-------------------------------------|-----------------------------------|------------------------------------|--|---|---|--|---|--|

Compact and robust

- Suitable for restricted mounting spaces thanks to its small construction depth of 43 mm and its tangential cable outlet.
- Sturdy bearing construction in Safety-Lock™ design for resistance against vibration and installation errors.
- Patented Intelligent Scan Technology™ with all singleturn and multitrurn functions on one single OptoASIC - offering the highest reliability, a high resolution up to 41 bits and 100 % magnetic field insensitivity.

Versatile

- Through hollow shaft up to max. 15 mm and clamping both on the flange and on the cover side – suitable for usual drive shafts for geared motors, flexible installation.
- Available with SSI or BiSS interface and combined with SinCos incremental signals.
- SET button and LED for simple start-up.
- High resolution feedback in real-time via incremental outputs SinCos and RS422.
- Short control cycles, clock frequency with SSI up to 2 MHz / with BiSS up to 10 MHz.

Order code 8.F5883M . XXXX . XXXX
Hollow shaft Type a b c d e f g h

If for each parameter of an encoder the underlined preferred option is selected, then the delivery time will be 10 working days for a maximum of 10 pieces. Qts. up to 50 pcs. of these types generally have a delivery time of 15 working days.

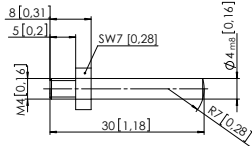


| | | | |
|---|---|--|--|
| <p>a Flange 1 = with spring element, long, IP65 <u>5 = with stator coupling, IP65, ø 63 mm [2.48"]</u> 9 = with torque stop, flexible, IP65</p> <p>b Through hollow shaft Clamping on the flange side 3 = ø 10 mm [0.39"] <u>4 = ø 12 mm [0.47"]</u> 5 = ø 14 mm [0.55"] 6 = ø 15 mm [0.59"] 9 = ø 1/2"</p> <p>Clamping on the cover side A = ø 12 mm [0.39"] B = ø 14 mm [0.55"] C = ø 15 mm [0.59"]</p> | <p>c Interface / power supply 1 = SSI, BiSS / 5 V DC <u>2 = SSI, BiSS / 10 ... 30 V DC</u> 3 = SSI, BiSS + 2048 ppr. SinCos / 5 V DC 4 = SSI, BiSS + 2048 ppr. SinCos / 10 ... 30 V DC 5 = SSI, BiSS / 5 V DC, with sensor output 6 = SSI, BiSS + 2048 ppr. SinCos / 5 V DC, with sensor output 7 = SSI, BiSS + 2048 ppr. RS422 (TTL-comp.) / 5 V DC 8 = SSI, BiSS + 2048 ppr. RS422 (TTL-comp.) / 10 ... 30 V DC A = SSI, BiSS + 1024 ppr. RS422 (TTL-comp.) / 5 V DC B = SSI, BiSS + 1024 ppr. RS422 (TTL-comp.) / 10 ... 30 V DC</p> <p>d Type of connection <u>E = tangential cable, 1 m PVC</u> F = tangential cable, special length PVC *)</p> <p>*) Available special lengths (connection type F): 2, 3, 5, 8, 10, 15 m [5.56, 9.84, 16.40, 26.25, 32.80, 49.21'] order code expansion .XXXX = length in dm ex.: 8.F5883M.542FG323.0030 (for cable length 3 m)</p> | <p>e Code B = SSI, binary C = BiSS, binary <u>G = SSI, gray</u></p> <p>f Resolution (singleturn) ¹⁾ A = 10 bit 1 = 11 bit 2 = 12 bit <u>3 = 13 bit</u> 4 = 14 bit 7 = 17 bit</p> <p>Optional on request - surface protection salt spray tested - other singleturn resolutions</p> | <p>g Resolution (multitrurn) ¹⁾ <u>2 = 12 bit MT</u> 6 = 16 bit MT 4 = 24 bit MT</p> <p>h Options (service) 1 = no option 2 = status LED <u>3 = SET button and status LED</u></p> |
|---|---|--|--|

1) Resolution, preset value and counting direction factory-programmable.

Absolute encoders – multiturn

| | | |
|---|-------------------------------------|---------------------------------|
| Standard Motor-Line, electronic multiturn, optical | Sendix F5883M (hollow shaft) | SSI / BiSS + incremental |
|---|-------------------------------------|---------------------------------|

| Mounting accessory for hollow shaft encoders | Dimensions in mm [inch] | Order no. |
|---|---|-------------------------|
| Cylindrical pin, long for flange with spring element (flange type 1) | with fixing thread  | 8.0010.4700.0000 |

Further accessories can be found in the accessories section or in the accessories area of our website at: www.kuebler.com/accessories.
Suitable connectors can be found in the connection technology section or in the connection technology area of our website at: www.kuebler.com/connection_technology.

Technical data

| Mechanical characteristics | |
|--|---|
| Maximum speed | 9000 min ⁻¹ , 6000 min ⁻¹ (continuous) |
| Starting torque at 20°C [68°F] | < 0.01 Nm |
| Mass moment of inertia | 6.0 x 10 ⁻⁶ kgm ² |
| Load capacity of shaft | radial 80 N axial 40 N |
| Weight | approx. 0.45 kg [15.87 oz] |
| Protection | IP65 |
| Working temperature range | -40°C ... +85°C [-40°F ... +185°F] ¹⁾ |
| Material | hollow shaft stainless steel flange aluminum housing zinc die-cast cable PVC |
| Shock resistance acc. to EN 60068-2-27 | 2500 m/s ² , 6 ms |
| Vibration resistance acc. to EN 60068-2-6 | 100 m/s ² , 55 ... 2000 Hz |

| Electrical characteristics | |
|--|---|
| Power supply | 5 V DC (+5%) or 10 ... 30 V DC |
| Current consumption (no load) | 5 V DC max. 60 mA 10 ... 30 V DC max. 30 mA |
| Reverse polarity protection of the power supply | yes (at 10 ... 30 V DC) |
| Short circuit proof outputs | yes ²⁾ |
| UL approval | file no. E224618 |
| CE compliant acc. to | EMC guideline 2014/30/EU RoHS guideline 2011/65/EU |

| SSI interface | |
|---|--|
| Output driver | RS485 transceiver type |
| Permissible load / channel | max. +/- 30 mA |
| Signal level | HIGH typ 3.8 V LOW at I _{Load} = 20 mA typ 1.3 V |
| Resolution singleturn | 10 ... 17 bit |
| Number of revolutions (multiturn) | max. 24 bit |
| Code | binary or gray |
| SSI clock rate | 50 kHz ... 2 MHz |
| Data refresh rate | ST resolution ≤ 14 bit ≤ 1 µs ST resolution ≥ 15 bit 4 µs |
| Monoflop time | ≤ 15 µs |
| Note: If the clock starts cycling within the monoflop time, a second data transfer starts with the same data. If the clock starts cycling after the monoflop time, the data transfer starts with the new values. The update rate is dependent on the clock speed, data length and monoflop-time. | |

| BiSS interface | |
|--|---|
| Output driver | RS485 transceiver type |
| Permissible load / channel | max. +/- 30 mA |
| Signal level | HIGH typ 3.8 V LOW at I _{Load} = 20 mA typ 1.3 V |
| Resolution singleturn | 10 ... 17 bit |
| Number of revolutions (multiturn) | max. 24 bit |
| Code | binary |
| BiSS clock rate | 50 kHz ... 10 MHz |
| Max. update rate | < 10 µs, depends on the clock rate and the data length |
| Data refresh rate | ST resolution ≤ 14 bit ≤ 1 µs ST resolution 17 bit 2.4 µs |
| Note: | – bidirectional, factory programmable parameters are: resolution, code, direction, alarms and warnings – CRC data verification |

| Status output and LED | |
|---|---|
| Output driver | open collector, internal pull up resistor 22 kOhm |
| Permissible load | max. 20 mA |
| Signal level | HIGH: +V / LOW: < 1 V |
| Active | LOW |
| The optional LED (red) and the status output serve to display various alarm or error messages. In normal operation the LED is OFF and the status output is HIGH (open collector with int. pull up 22 kOhm). | |
| An active status output (LOW) displays: | |
| – sensor error, singleturn or multiturn (soiling, glass breakage etc.) – LED fault (failure or ageing) – over- or under-temperature | |
| In the SSI mode, the fault indication can only be reset by switching off the power-supply to the device. | |

| Incremental outputs (A/B) | | |
|----------------------------|---------------------------|-------------------------------------|
| | SinCos | RS422 TTL compatible |
| Max. frequency -3dB | 400 kHz | 400 kHz |
| Signal level | 1 V _{pp} (±20 %) | HIGH: min. 2.5 V LOW: max. 0.5 V |
| Short circuit proof | yes ²⁾ | yes ²⁾ |
| Pulse rate | 1024 / 2048 ppr | 1024 / 2048 ppr |

1) Temperature measured on the flange – max. 80°C allowable on the cable (fixed installation).
2) Short circuit to 0 V or to output; if power supply correctly applied.

Absolute encoders – multiturn

| | | |
|---|-------------------------------------|---------------------------------|
| Standard Motor-Line, electronic multiturn, optical | Sendix F5883M (hollow shaft) | SSI / BiSS + incremental |
|---|-------------------------------------|---------------------------------|

| SET input | |
|--|--|
| Input | active HIGH |
| Input type | comparator |
| Signal level (+V = power supply) | HIGH min. 60 % of +V, max: +V LOW max. 30 % of +V |
| Input current | < 0.5 mA |
| Min. pulse duration (SET) | 10 ms |
| Input Delay | 1 ms |
| New position data readable after | 1 ms |
| Internal processing time | 200 ms |

The encoder can be set to zero at any position by means of a HIGH signal on the SET input or by pressing the optional SET button (with a pencil, ball-point pen or similar). Other preset values can be factory-programmed. The SET input has a signal processing time of approx. 1 ms, after which the new position data can be read via SSI or BiSS. Once the SET function has been triggered, the encoder requires an internal processing time of typ. 200 ms; during this time the power supply must not be switched off.

The SET function should be carried out whilst the encoder is at rest.

If this input is not used, it should be connected to 0 V (Encoder ground GND) in order to avoid interferences.

| DIR input | |
|---|------|
| Direction input: A HIGH signal switches the direction of rotation from the default cw to ccw. This inverted function can also be factory-programmed. If DIR is changed when the device is already switched on, then this will be interpreted as an error. The status output will switch to LOW. | |
| If this input is not used, it should be connected to 0 V (Encoder ground GND) in order to avoid interferences. | |
| Response time (DIR input) | 1 ms |

| Power-ON | |
|--|--|
| After Power-ON the device requires a time of approx. 150 ms before valid data can be read. | |
| Hot plugging of the encoder should be avoided. | |

Terminal assignment

| Interface | Type of connection | Features | Cable (isolate unused cores individually before initial start-up) | | | | | | | | | | | | | |
|---------------------|--------------------|--|---|-----|----|----|----|----|----|-----|-----------|------|-----------|--------|-----------|--------|
| 1, 2 | E, F | SET, DIR, Status | Signal: | 0 V | +V | C+ | C- | D+ | D- | SET | DIR | Stat | N/C | N/C | N/C | ⊥ |
| | | | Core color: | WH | BN | GN | YE | GY | PK | BU | RD | BK | - | - | - | shield |
| 5 | E, F | SET, DIR, Status sensor output | Signal: | 0 V | +V | C+ | C- | D+ | D- | SET | DIR | Stat | N/C | 0Vsens | +Vsens | ⊥ |
| | | | Core color: | WH | BN | GN | YE | GY | PK | BU | RD | BK | - | GY-PK | RD-BU | shield |
| 3, 4, 7, 8, A, B | E, F | SET, DIR, SinCos or incr. RS422 | Signal: | 0 V | +V | C+ | C- | D+ | D- | SET | DIR | A | \bar{A} | B | \bar{B} | ⊥ |
| | | | Core color: | WH | BN | GN | YE | GY | PK | BU | RD | BK | VT | GY-PK | RD-BU | shield |
| 6 | E, F | SinCos or incr. RS422 sensor output | Signal: | 0 V | +V | C+ | C- | D+ | D- | A | \bar{A} | B | \bar{B} | 0Vsens | +Vsens | ⊥ |
| | | | Core color: | WH | BN | GN | YE | GY | PK | BU | RD | BK | VT | GY-PK | RD-BU | shield |

- +V: Encoder power supply +V DC
- 0 V: Encoder power supply ground GND (0 V)
- 0 Vsens / +Vsens: Using the sensor outputs of the encoder, the voltage present can be measured and if necessary increased accordingly.
- C+, C-: Clock signal
- D+, D-: Data signal
- A, \bar{A} : Incremental output channel A (cosine)
- B, \bar{B} : Incremental output channel B (sine)
- SET: Set input
- DIR: Direction input
- Stat: Status output
- PH ⊥: Plug connector housing (shield)

Absolute encoders – multiturn

Standard
Motor-Line, electronic multiturn, optical

Sendix F5883M (hollow shaft)

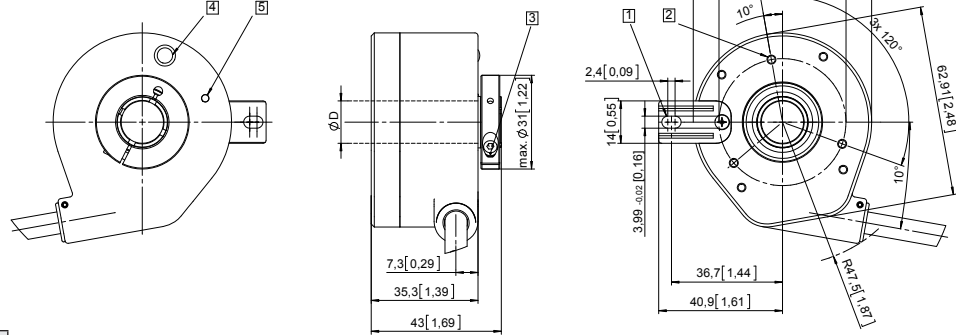
SSI / BiSS + incremental

Dimensions hollow shaft version

Dimensions in mm [inch]

Flange with spring element, long Flange type 1

- 1 Slot spring element, recommendation: cylindrical pin DIN 7, $\varnothing 4$ [0.16]
- 2 3 x M3, 6 [0.24] deep
- 3 Recommended torque for the clamping ring 0.6 Nm
- 4 Status-LED
- 5 SET button



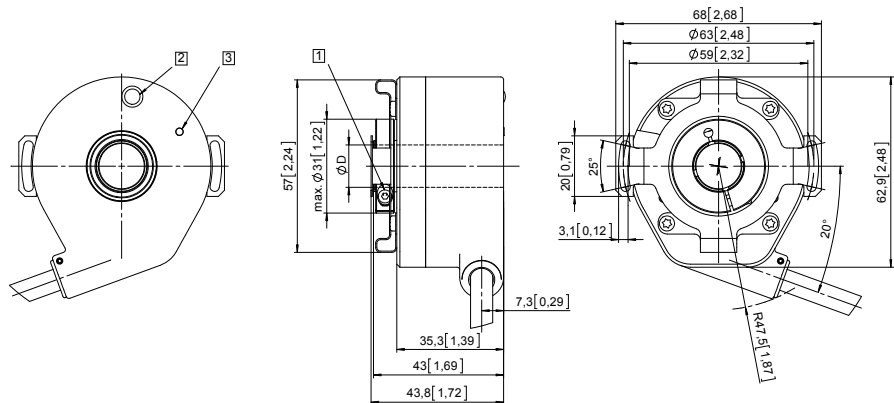
| D | Fit |
|-----------|-----|
| 10 [0.39] | H7 |
| 12 [0.47] | H7 |
| 14 [0.55] | H7 |
| 15 [0.59] | H7 |
| 1/2 " | H7 |

Flange with stator coupling, $\varnothing 63$ [2.48]

Flange type 5

Pitch circle diameter for fixing screws 63 mm [2.48]

- 1 Recommended torque for the clamping ring 0.6 Nm
- 2 Status-LED
- 3 SET button

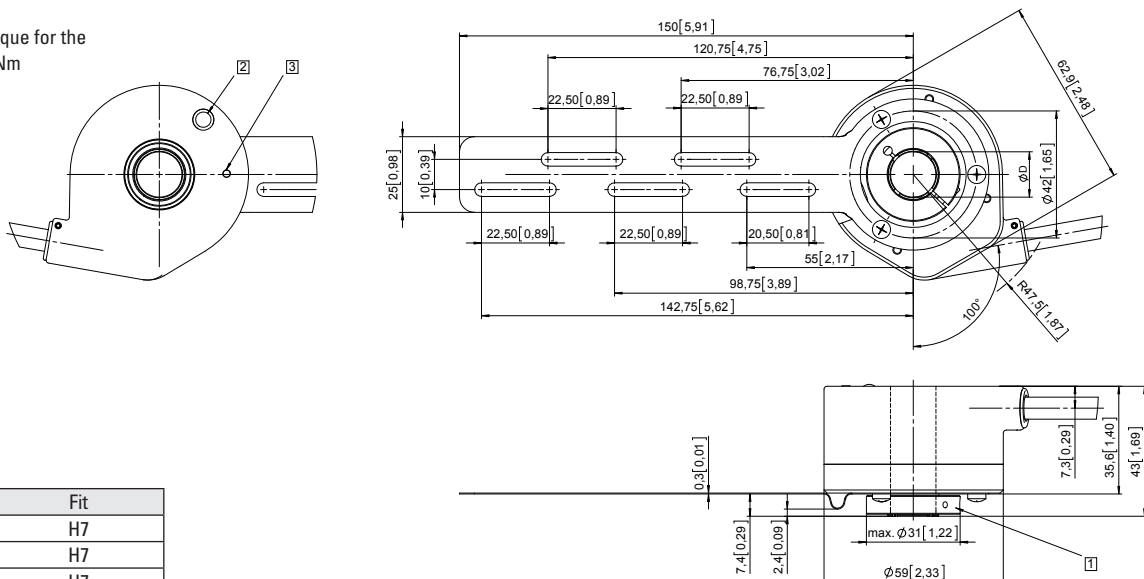


| D | Fit |
|-----------|-----|
| 10 [0.39] | H7 |
| 12 [0.47] | H7 |
| 14 [0.55] | H7 |
| 15 [0.59] | H7 |
| 1/2 " | H7 |

Flange with torque stop, flexible

Flange type 9

- 1 Recommended torque for the clamping ring 0.6 Nm
- 2 Status-LED
- 3 SET button



| D | Fit |
|-----------|-----|
| 10 [0.39] | H7 |
| 12 [0.47] | H7 |
| 14 [0.55] | H7 |
| 15 [0.59] | H7 |
| 1/2 " | H7 |