

Specifications Installation and Operating Instructions
LED Digital Panel Meters

Self Powered, Positive Input LED Display, DC Voltage



FEATURES

- ▶ Screw terminals
- ▶ Available in easy to read RED, BLUE or GREEN LED
- ▶ Self Powered

SPECIFICATIONS

DISPLAY

Numeral Size: .37" (9.4 mm)
 Overrange: three lower order digits blank
 Supply Voltage: self powered

INPUTS

Input Ranges: see ordering info

PERFORMANCE

Accuracy: 1% scale (Typ) 2% (Max)
 Sampling Rate: 2.5 per second

ENVIRONMENT

Operating Temperature: -10 to 50 °C
 Max Humidity: 95% (non-condensing)

CONNECTION

2 screw terminals

ORDERING INFO

PART NUMBER	METER COLOR	METER INPUT
DLA20-DCM-R-0	RED	+4.50 to +19.99V
DLA20-DCM-B-0	BLUE	+4.50 to +19.99V
DLA20-DCM-G-0	GREEN	+4.50 to +19.99V
DLA20-DCM-R-1	RED	+8.0 to +50.0V
DLA20-DCM-B-1	BLUE	+8.0 to +50.0V
DLA20-DCM-G-1	GREEN	+8.0 to +50.0V
DLA20-DCM-R-2	RED	+30 to +264V
DLA20-DCM-B-2	BLUE	+30 to +264V
DLA20-DCM-G-2	GREEN	+30 to +264V

ACCESSORIES INCLUDED

DLA-BEZ-20-G Bezel Assembly

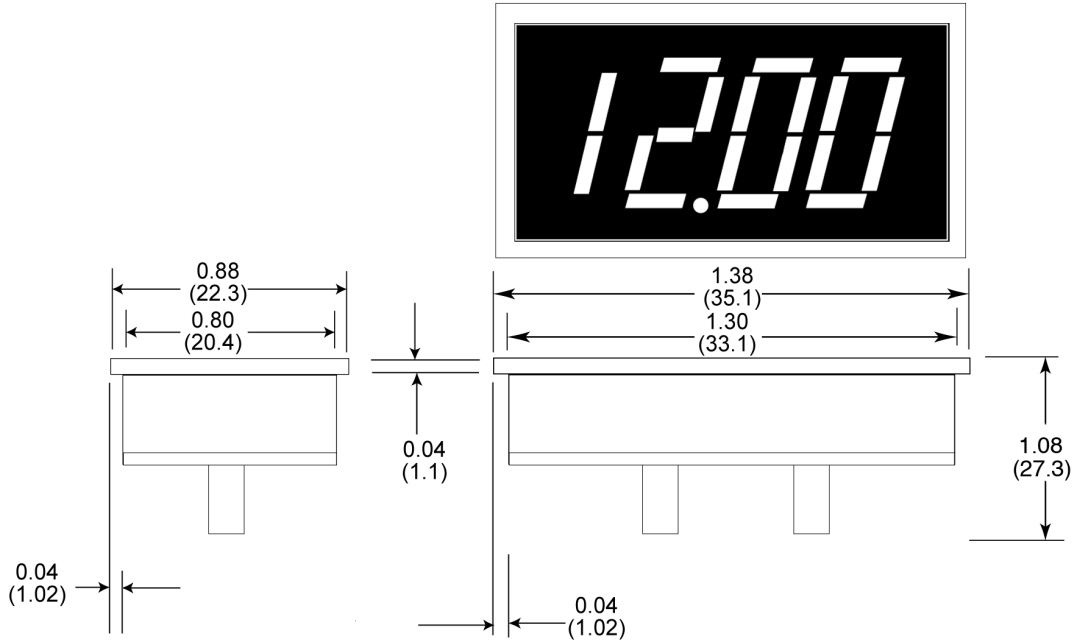


Specifications Installation and Operating Instructions
LED Digital Panel Meters
 Self Powered, Positive Input LED Display, DC Voltage

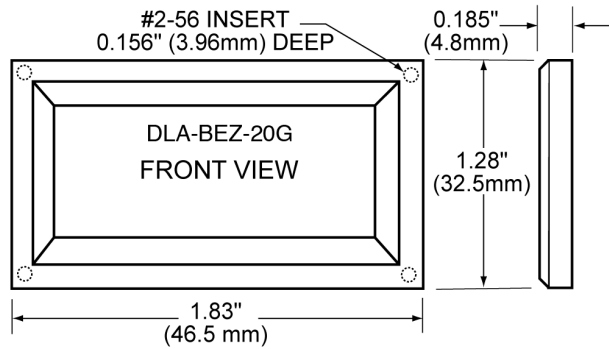


DIMENSIONS

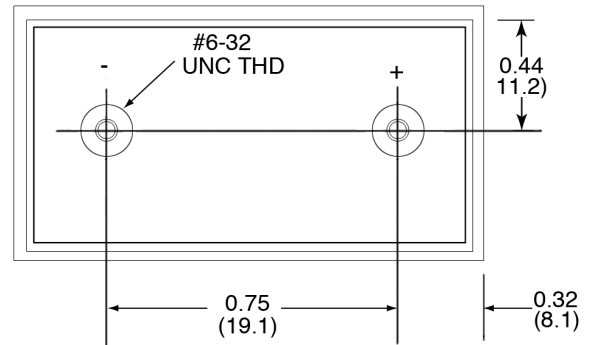
FRONT VIEW



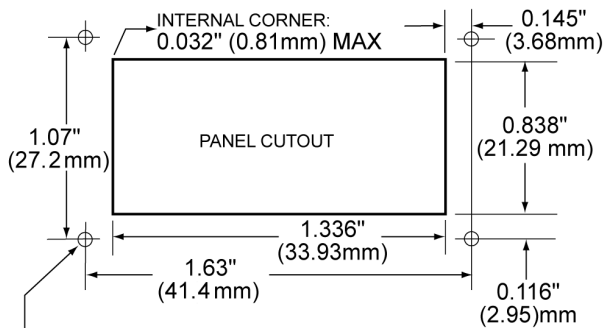
BEZEL ASSEMBLY



BACK VIEW



RECOMMENDED PANEL CUTOUT



0.093 (2.362) DIAMETER (4 REQUIRED)
 ONLY WHEN USING BEZEL ASSEMBLY