



Model 635MM

Metal Case Sealed Meters

635MM



SPECIFICATIONS

The Hoyt 635MM metal cased sealed meters are designed for extreme applications where resistance to the environment is required. Dustproof and waterproof, these meters meet ANSI C39.1 specifications and performance standards. Custom meter ranges and scales are available.

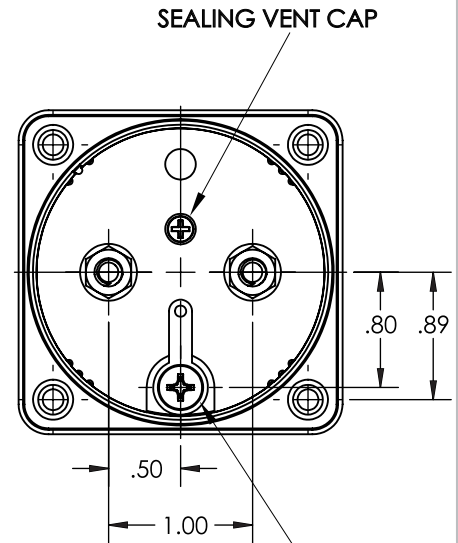
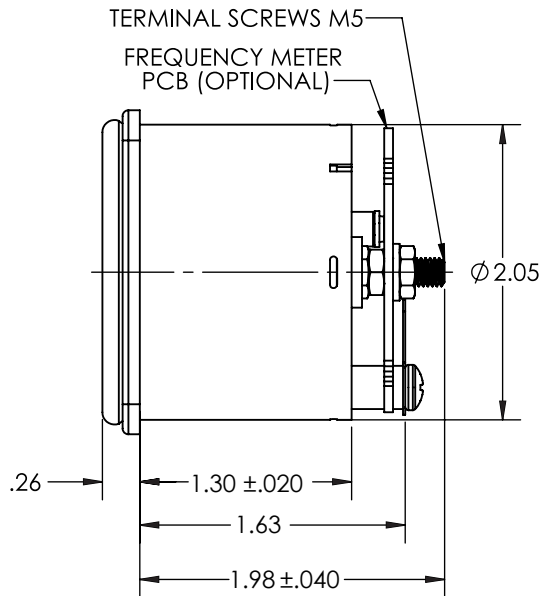
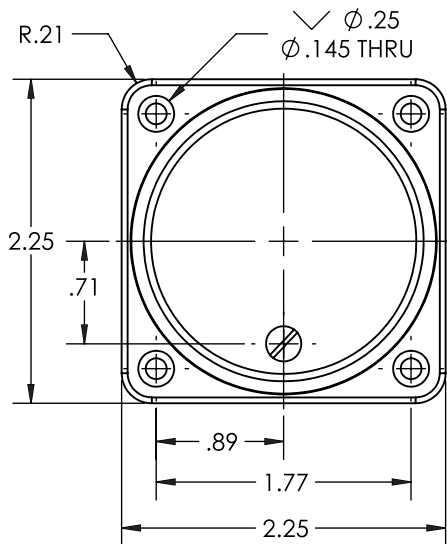
- Accuracy: $\pm 2\%$ accuracy, $\pm 1\%$ repeatability, resistance $\pm 20\%$
- Response Time: 1.5s
- Temperature Range: -50° to 150° F, -45° to 65° C
- Construction: Mild steel case, glass lens, ruggedized and gasket sealed, nitrogen filled to prevent fogging
- Movement: Taut band



Model 635MM

Metal Case Sealed Meters

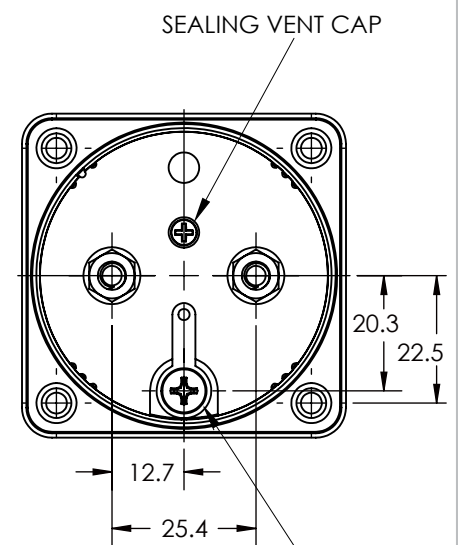
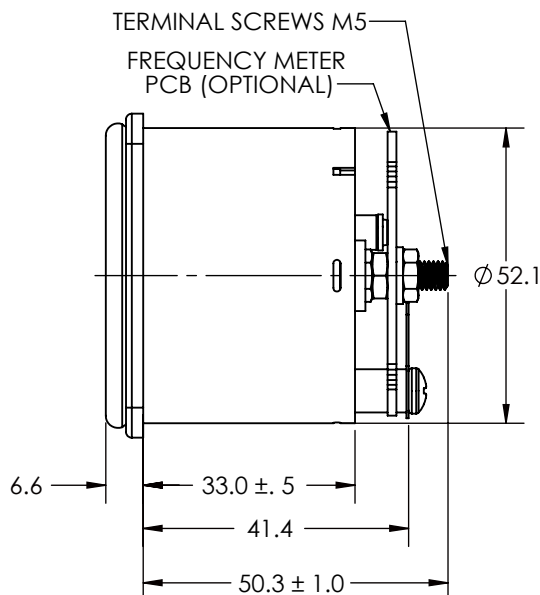
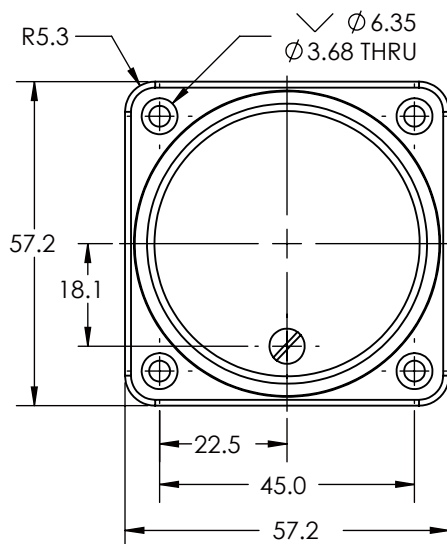
DIMENSIONS (inches):



RECOMMENDED PANEL HOLE CUT-OUT: \varnothing 2.125 in

EARTHING TERMINAL FITTED WITH SOLDER LUG

DIMENSIONS (mm):



RECOMMENDED PANEL HOLE CUT-OUT: \varnothing 54.0 mm

EARTHING TERMINAL FITTED WITH SOLDER LUG