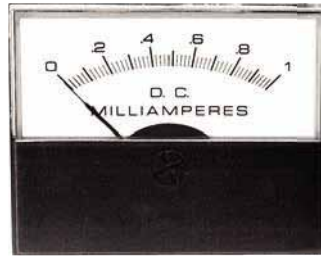




3145/3146 Series Panel/Window Mount Meters



■ Equivalent to Yokogawa Stylist®

4-1/2"

- 3145 D.C. Moving Coil
- 3146 A.C. Rectifier

FEATURES

■ The 3100 Hoyt panel meter series consists of a popular industrial styled, high impact plastic case that is available for surface or window mounting applications.

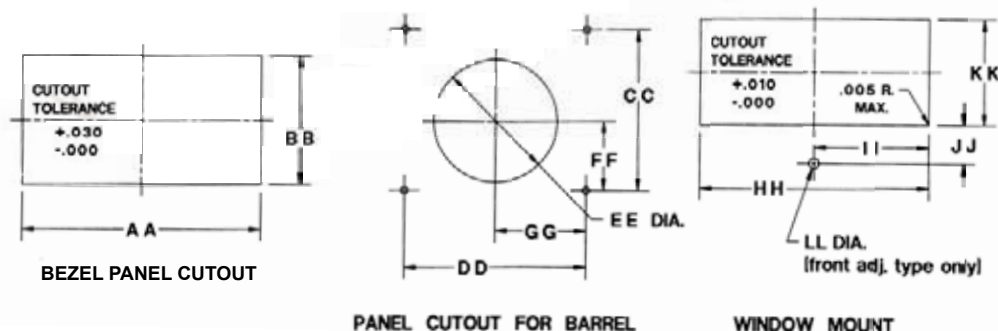
■ This series of meters is equal in mounting and specifications to similar styled meters of other manufacturers.

SPECIFICATIONS

- Accuracy: $\pm 2\%$ full scale value.
- Resistance: $\pm 15\%$
- Dials: 100 or 90 degree arc, black lettering on white background. Special dial colors and artwork are available as an option.
- Movement: Spring loaded pivot and jewel movement that assures maximum torque and readability.
- D.C. Ranges: Microammeters, Milliammeters, Ammeters, Millivoltmeters and Voltmeters.
- A.C. Ranges: Milliammeters, Ammeters, and Voltmeters.
- Mounting: Specify (HS) Surface mount, (HW) Window mount or (HB) Bezel mount.
- Standard Options: Optional colors available on lower front cover, mirror dials, acrylic case materials, suppressed zero ranges, VU meters.

UL Recognized meters available, add - UL to model

DIMENSIONS



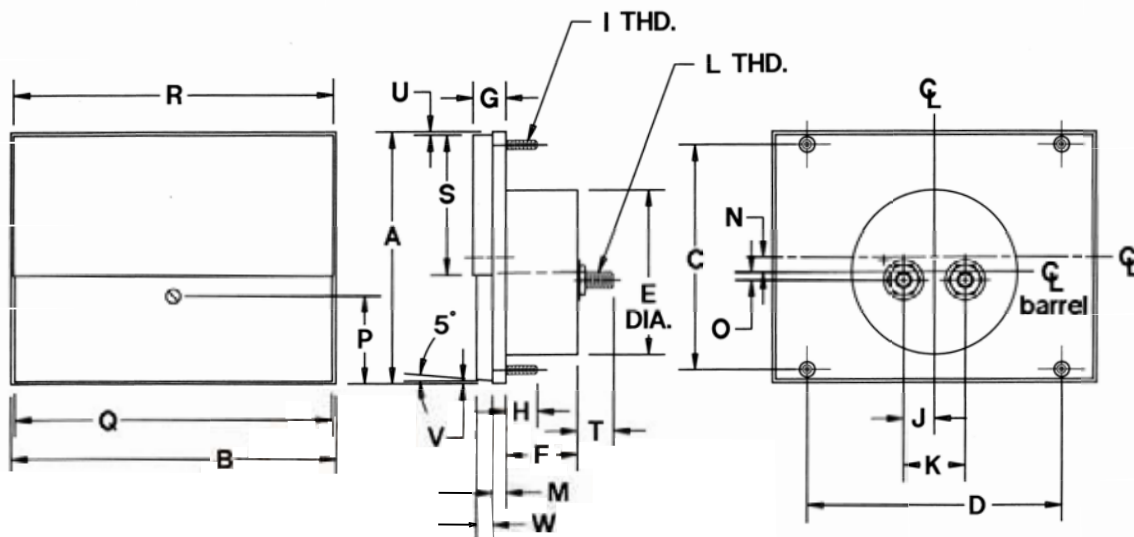
MODELS	AA	BB	CC	DD	EE	FF	GG	HH	II	JJ	KK	LL
3145/46	5.120	2.840	3.560	4.000	2.720	1.540	2.000	5.010	2.505	0.856	2.340	0.228

Dimensions in Inches



3145/3146 Series Panel/Window Mount Meters

DIMENSIONS

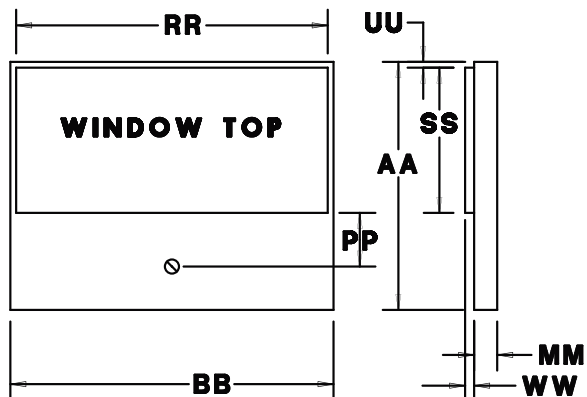


SURFACE MOUNT

MODELS	A	B	C	D	E	F	G	H	I	J	K	L	M	N	O	P	Q	R	S	T	U	V	W
3145/46	3.98	5.10	3.56	4.00	2.60	1.13	0.52	0.50	6-32	0.48	0.97	10-32	0.21	0.24	0.12	1.39	4.98	5.02	2.21	0.50	0.05	0.04	0.25

Dimensions in Inches

WINDOW (HW)



Base is the same as the surface top. See surface dimensional chart for omitted base dimensions.

Window Mount:

This series is industrially styled and universally accepted with maximum dial visibility. The outside edges of the "window" that project through the panel are clear which yields maximum readability. All specifications and options are identical to those on previous page.

WINDOW MOUNT

MODELS	AA	BB	MM	PP	RR	SS	UU	WW
3145/46	4.06	5.19	.37	.86	5.00	2.33	.09	.15

Dimensions in Inches

