



# 3-1/2" Clear Plastic 2735/36 Meters

Analog Panel Meters

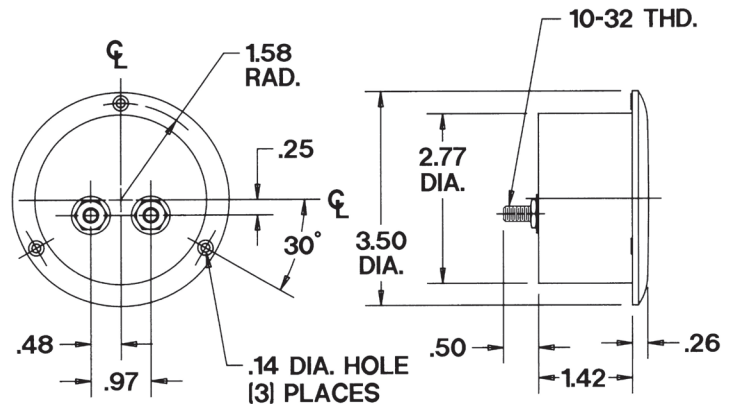


2735 ■ D.C. Moving Coil  
2736 ■ A.C. Repulsion

## FEATURES

- Model 2735/36, clear plastic meter with polycarbonate is available in AC or DC inputs.
- This unique case style yields maximum visibility and dust proof seal on the panel surface.
- Three hole mounting on the meter front allows for easy panel mounting.

## DIMENSIONS



## HOW TO ORDER

To order Hoyt 2735/36 series panel meters, choose correct model , 2735 for DC, 2736 for AC , add range and scale.

**Example:** DC shunt rated 0-100 Ammeter  
**P/N 2735-50MVDC-100ADC**